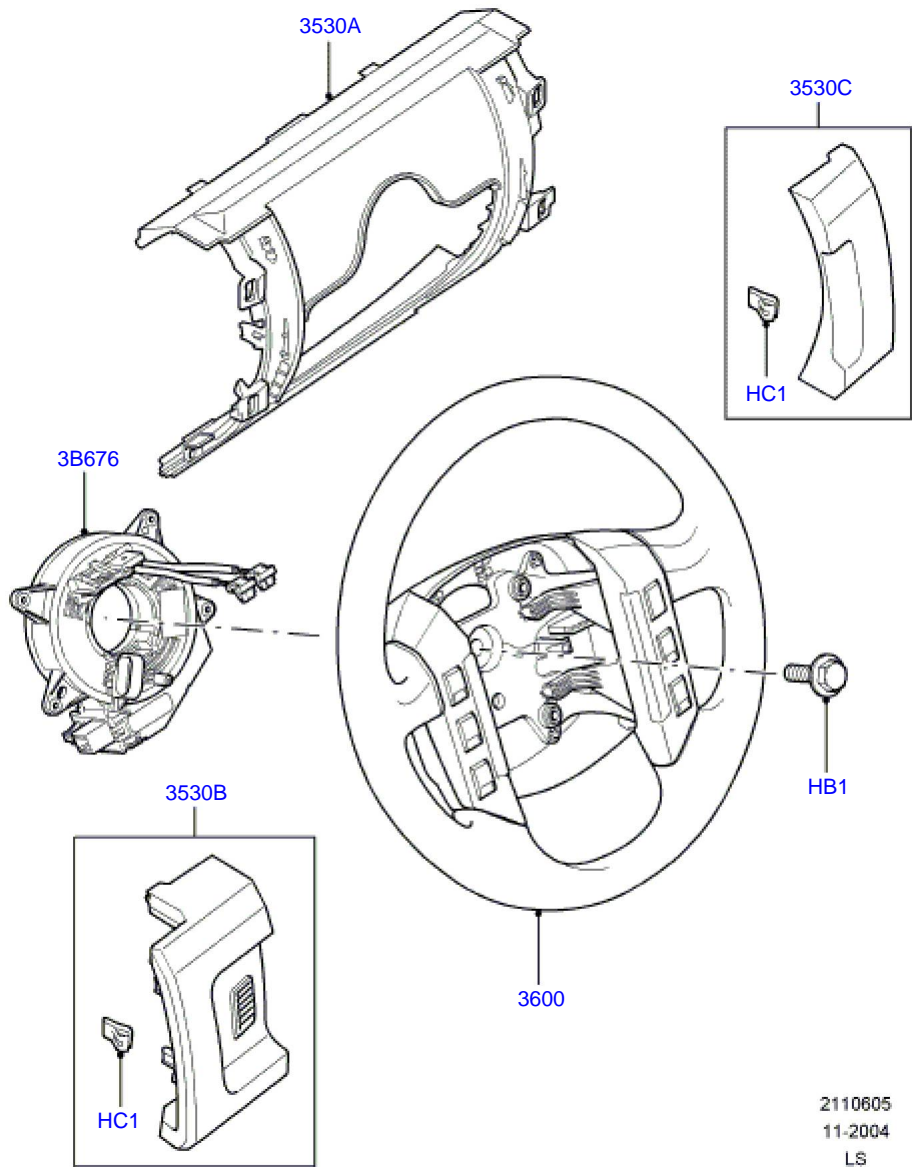


With compliments from ,

Catalogue: LR3/Discovery 3 (GCAT) 2005-
Section: 211-06/05 STEERING WHEEL



2110605
11-2004
LS
P0116581-02