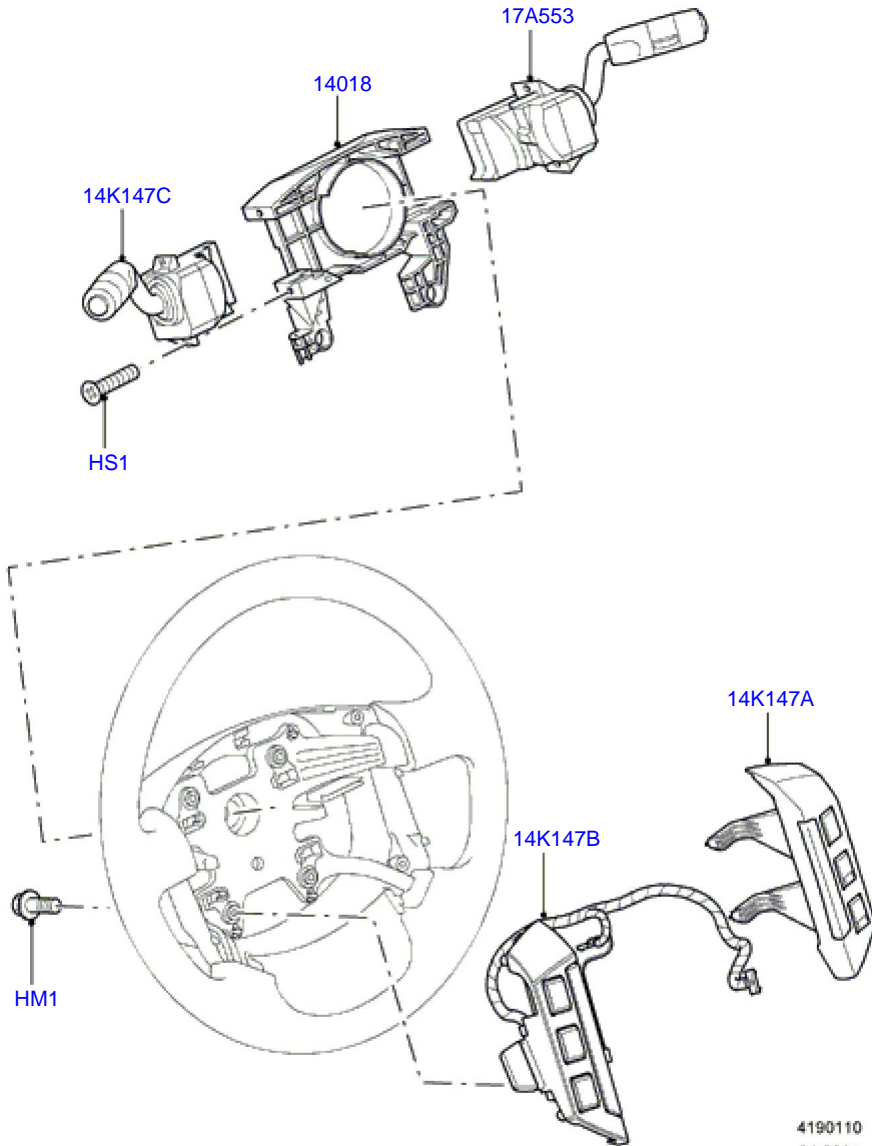


With compliments from ,

Catalogue: LR3/Discovery 3 (GCAT) 2005-  
Section: 419-01/10C SWITCHES, STEERING WHEEL

---



4190110  
04-2004  
LS  
P0131433-01