



© Jaguar Land Rover Limited
All rights reserved.

SECTION: 307-01

Rattling/Vibrating Noise From Underneath The Vehicle When Driving On An Uneven Road Surface

AFFECTED VEHICLE RANGE:

Discovery 4 / LR4 (LA)

Model Year: 2010 Onwards
VIN: AA510178 Onwards

Range Rover (LG)

Model Year: 2013 Onwards
VIN: DA000001 Onwards

Range Rover Sport (LW)

Model Year: 2014 Onwards
VIN: EA001207 Onwards

MARKETS:

All

CONDITION SUMMARY:

Situation: A customer complaint of a rattling/vibrating noise from underneath the vehicle when driving on an uneven road surface.

Cause: A cracked transmission heat shield mounting bracket. **Suggested Customer Concern Code - MQ3.**

Action: Should a customer express concern, follow the Service Instruction outlined below.

PARTS:

LR073535 Transmission heat shield mounting bracket Quantity: 1

WARRANTY:

 **NOTE:** Repair procedures are under constant review, and therefore times are subject to change; those quoted here must be taken as guidance only. Always refer to TOPIx to obtain the latest repair time.

 **NOTE:** DDW requires the use of causal part numbers. Labor only claims must show the causal part number with a quantity of zero.

DESCRIPTION	SRO	TIME (HOURS)	CONDITION CODE	CAUSAL PART
Transmission heat shield mounting bracket	05.10.40	0.4	01	LR057208

 **NOTE:** Normal Warranty procedures apply.

SERVICE INSTRUCTION:

 **NOTE:** Some variation in the illustrations may occur, but the essential information is always correct.

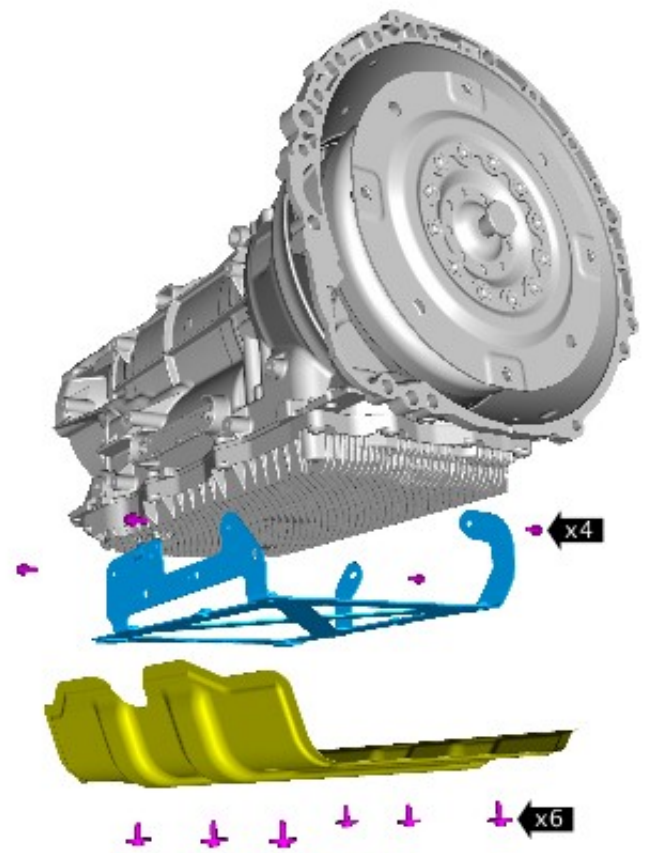
 **NOTE:** Removal steps in this procedure may contain installation details.

1  **WARNING:** Do not work on or under a vehicle supported only by a jack. Always support the vehicle on safety stands.

Raise and support the vehicle.

2 Remove the transmission heat shield mounting bracket.

- Torque: 9 Nm



E175513

3To install the new transmission heat shield mounting bracket, reverse the removal procedure.