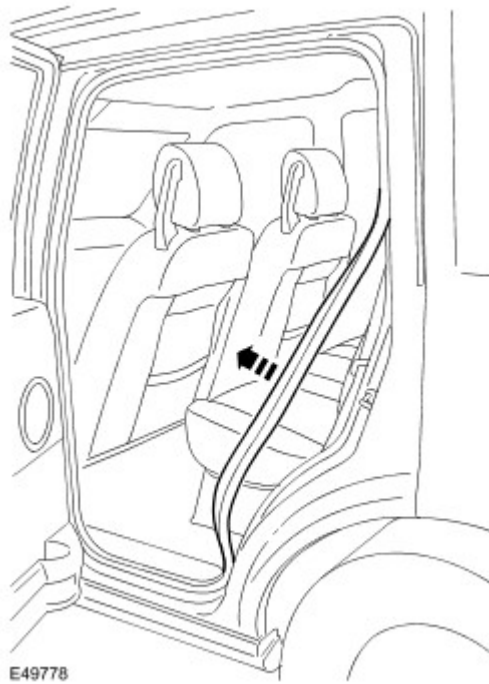


Rear Quarter Trim Panel (76.13.12)

Removal

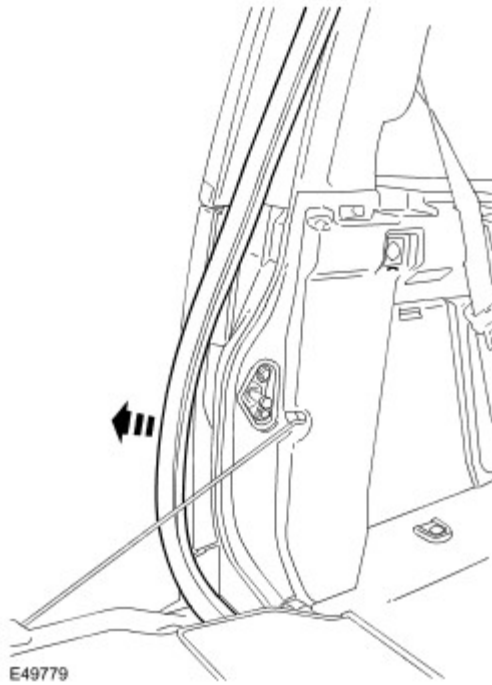
1. Fold down the rear seat backrest.
2. Release the door aperture weatherstrip.



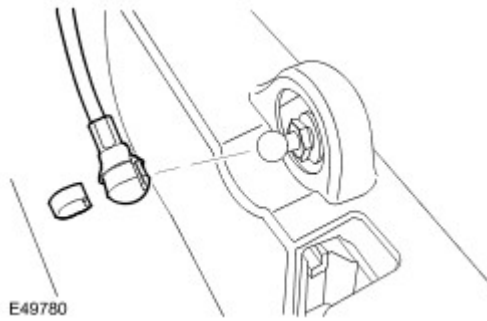
3. Release the safety belt anchor.
▶ Remove and discard the bolt.



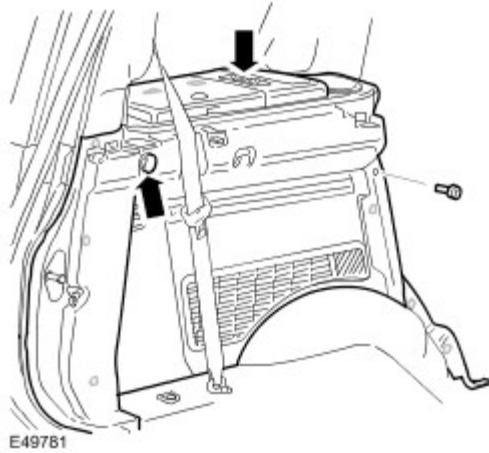
4. Release the tailgate aperture seal.



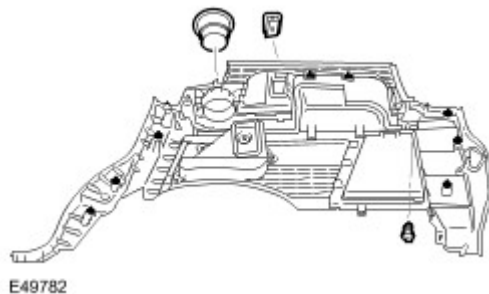
5. Remove the support spigot from the tailgate.
- ▶ Release the clip.



6. Remove the rear quarter trim panel.
- ▶ Remove the Torx screw.
 - ▶ Release the 8 clips.
 - ▶ Disconnect the 2 electrical connectors.



7. **NOTE :**
Do not disassemble further if the component is removed for access only.
Remove the stowage tray.
▶ Release the cover.
8. Remove the audio control switch.
▶ Release the 2 clips.
9. Remove the accessory socket.



Installation

1. Install the accessory socket.
2. Install the audio control switch.
▶ Secure the clips.
3. Install the stowage tray.
▶ Install the cover.
4. Install the rear quarter trim panel.
▶ Install the clips.
Tighten the Torx screw to 8 Nm (6 lb.ft).



Connect the electrical connector.

- 5 . Install the support spigot to the tailgate.
 - ▶ Install the clip.
- 6 . Install the tailgate aperture seal.
- 7 . Install the safety belt anchor.
 - ▶ Tighten the Torx bolt to 40 Nm (30 lb.ft).
- 8 . Install the door aperture weatherstrip.
- 9 . Return the seat backrest to the upright position.