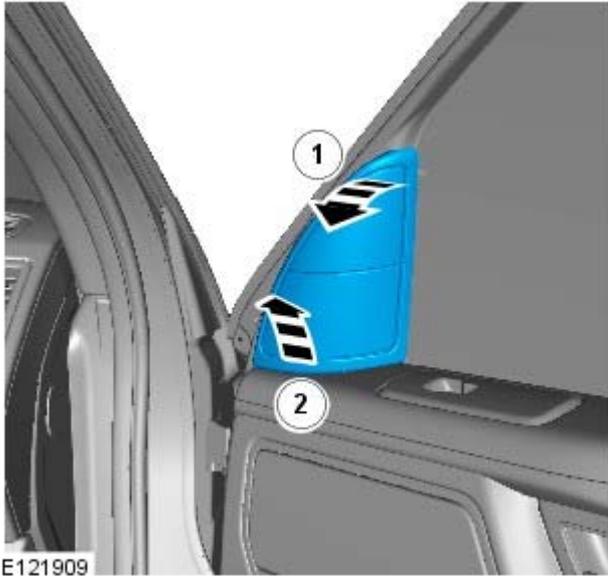


Interior Trim and Ornamentation - Front Door Trim Panel

Removal and Installation

Removal

- NOTE: Removal steps in this procedure may contain installation details.
- NOTE: **Some variation in the illustrations may occur, but the essential information is always correct.**

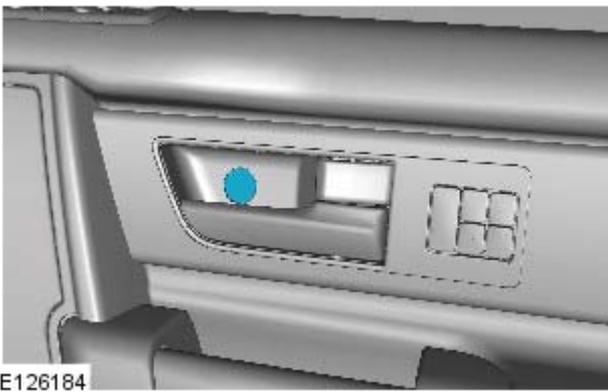


1. **1. CAUTIONS:**

 Take extra care not to damage the component.

 Make sure that the clips are correctly located.

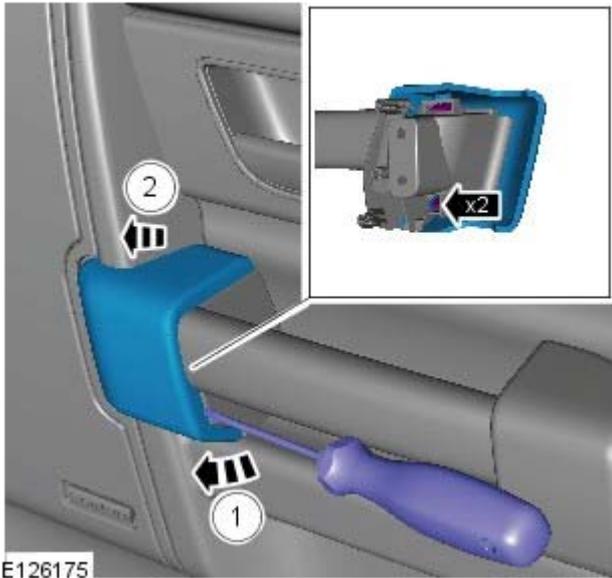
Disconnect the tweeter speaker electrical connector.



2.



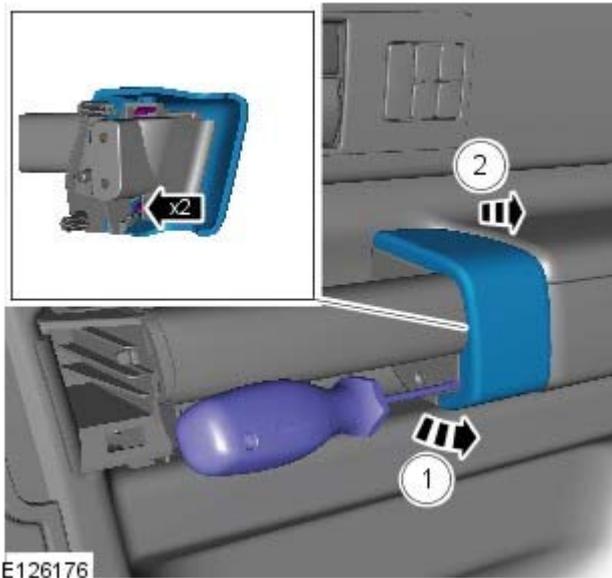
3.



E126175

4. 4. CAUTIONS:

- ⚠ Take extra care not to damage the component. Apply masking tape to the end of the screwdriver.
- ⚠ When removing the chrome finisher from the trim panel, make sure the components are not damaged. If necessary protect the surrounding areas using masking tape.
- ⚠ Make sure that the clips are correctly located.



E126176

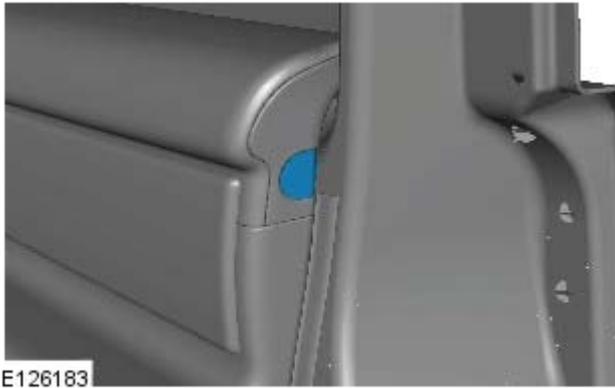
5. 5. CAUTIONS:

- ⚠ Take extra care not to damage the component. Apply masking tape to the end of the screwdriver.
- ⚠ When removing the chrome finisher from the trim panel, make sure the components are not damaged. If necessary protect the surrounding areas using masking tape.
- ⚠ Make sure that the clips are correctly located.



E126173

6.



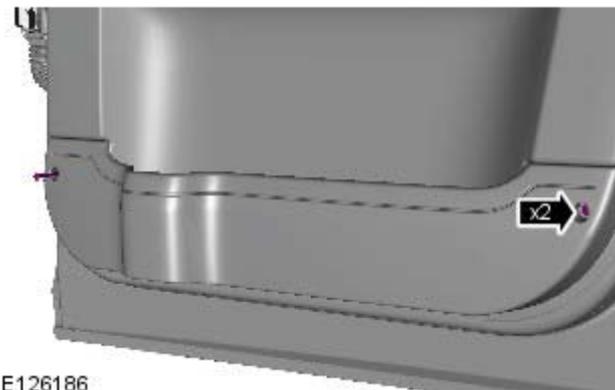
7.

E126183



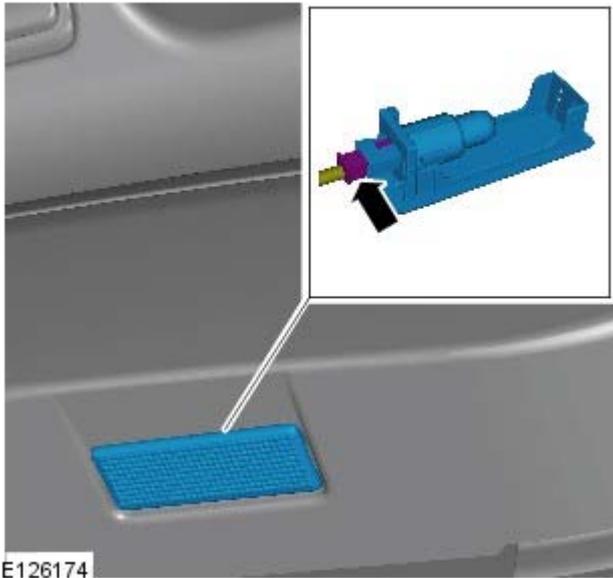
8.

E126185

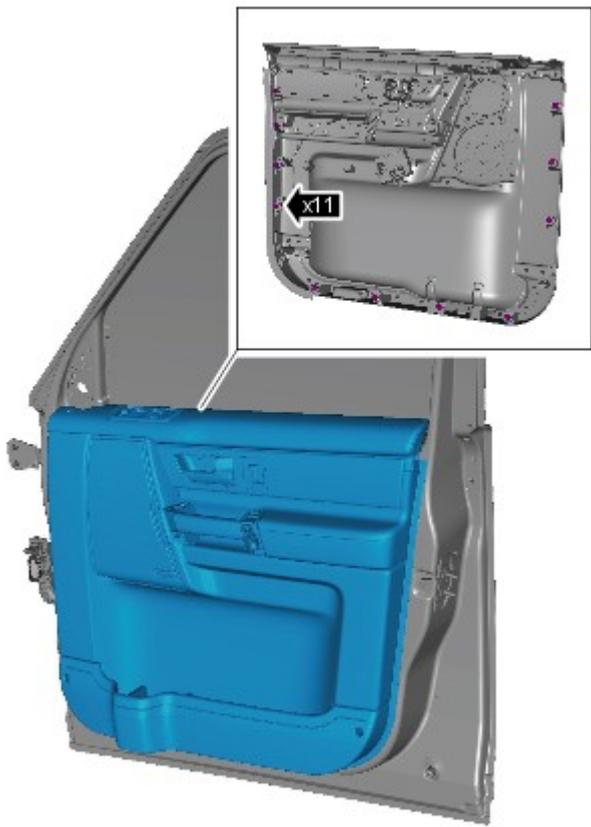


9.

E126186

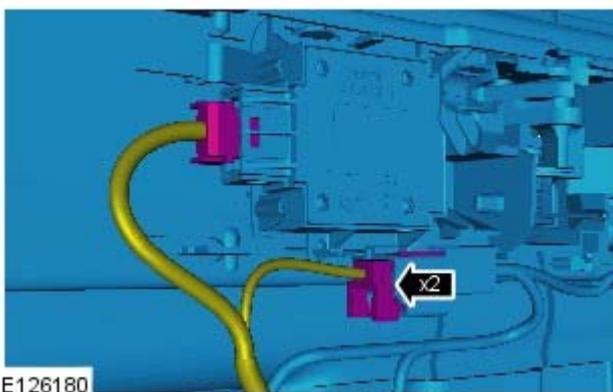


10.

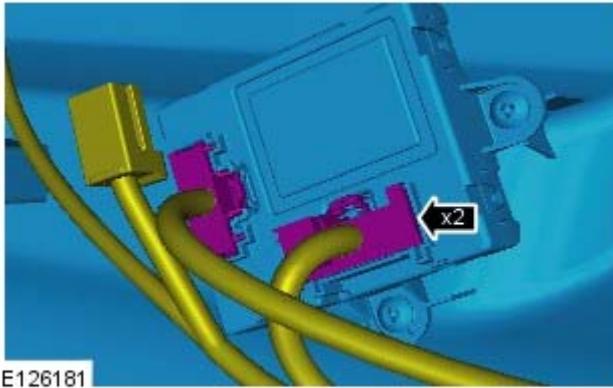


11. **11.**  **CAUTION:** Take extra care not to damage the wiring harnesses.

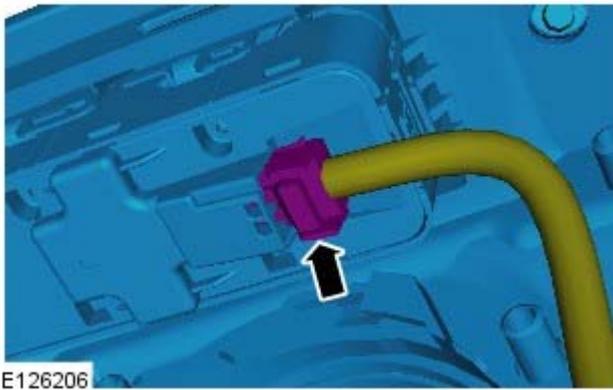
Detach the front door trim panel.



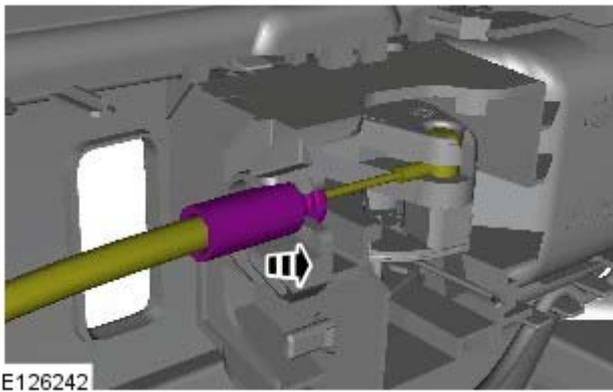
12.



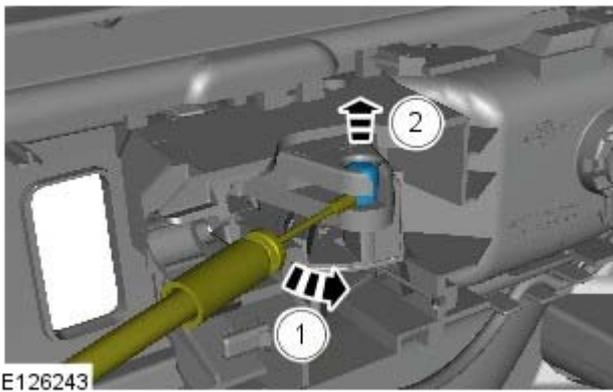
13.



14.

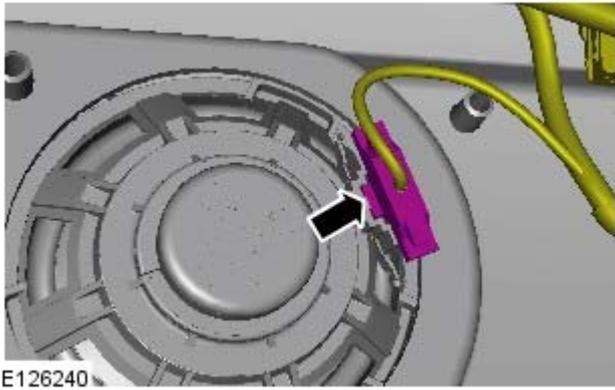


15. **15.**  **CAUTION:** Make sure that the release cable is removed from the door trim panel using the plastic fixing and not using the cable.

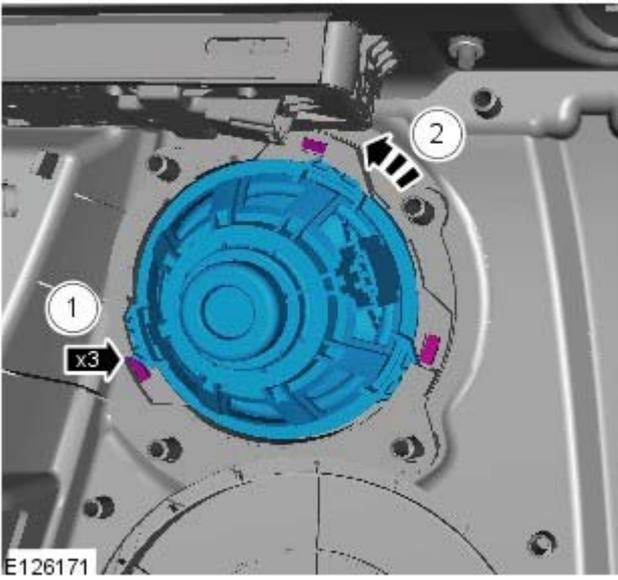


16.

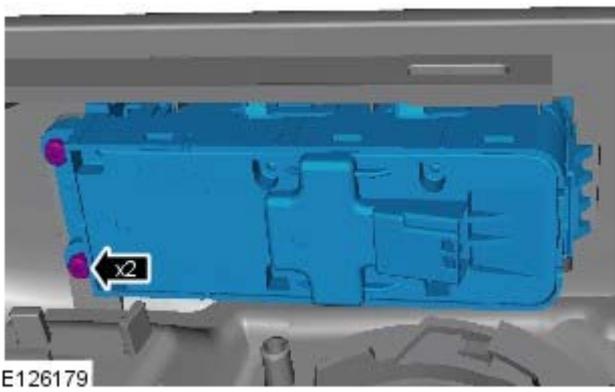
17. Remove the front door trim panel.



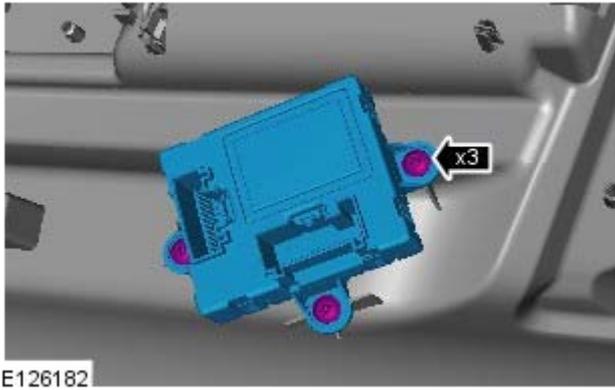
18. **18.** NOTE: Do not disassemble further if the component is removed for access only.



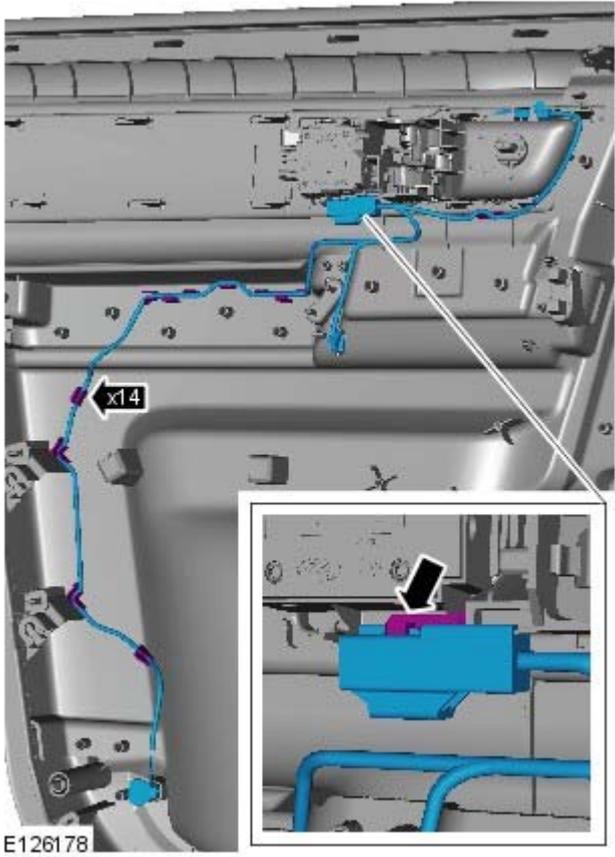
19.



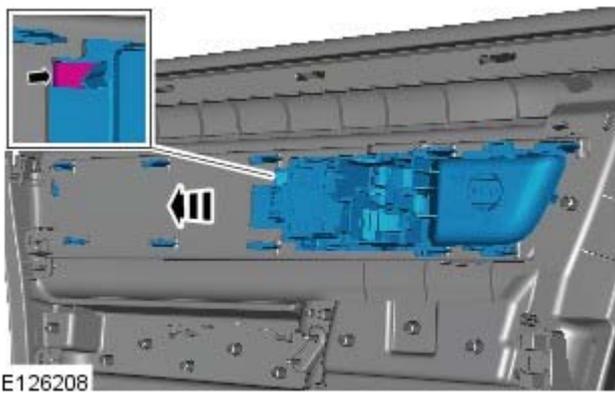
20.



21.

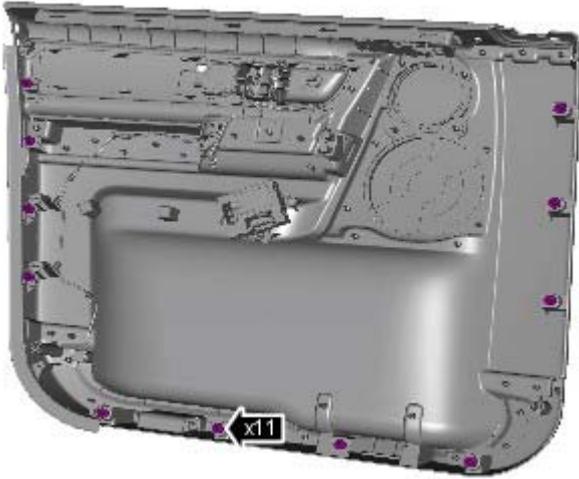


22.



23. Release the retaining tang.

24.



E126172

Installation

1. To install, reverse the removal procedure.