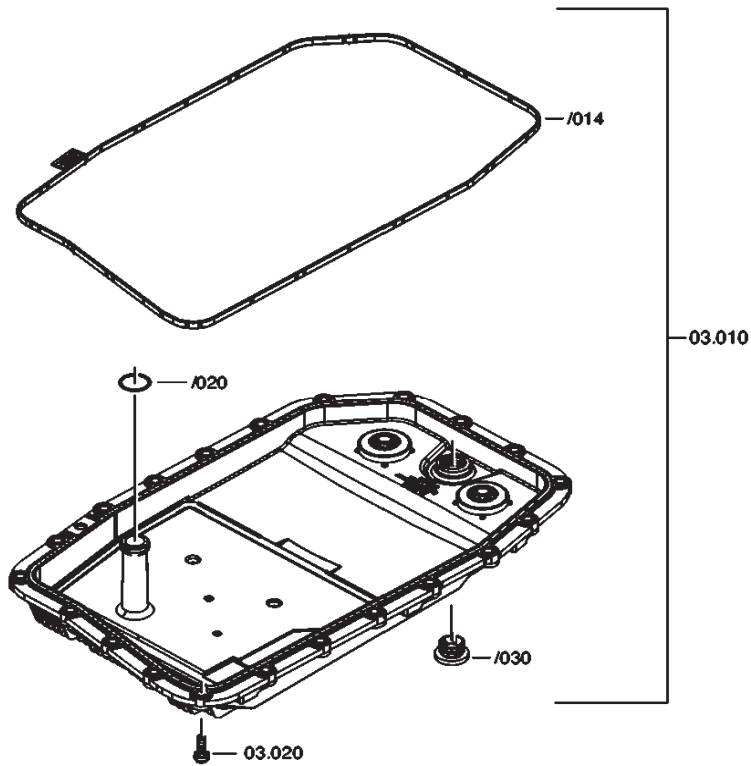




**FILTER GROUP GENERAL**

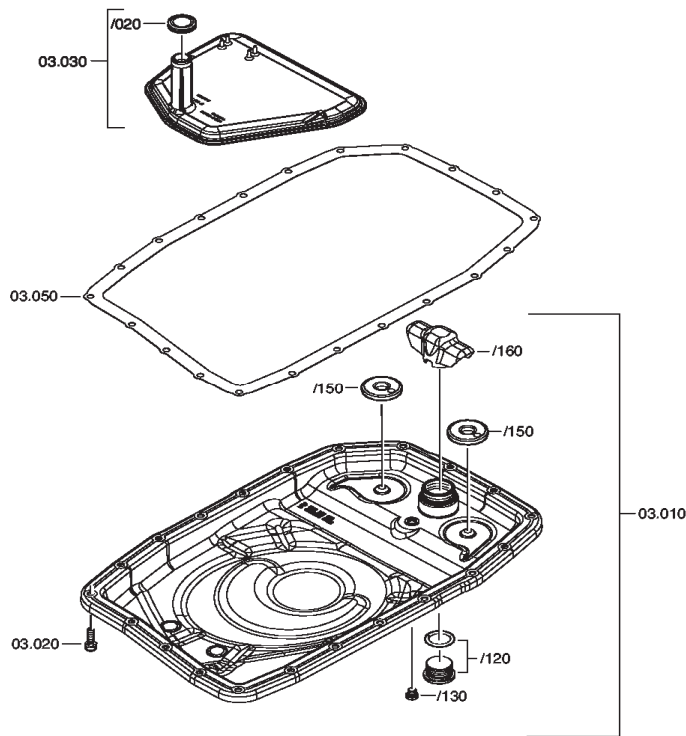
Position #	Description	Quantity	Notes
03.010	FILTER	1	Included in filter kit; see page 35.
03.010/014	GASKET	1	Included in overhaul kit; see page 40.
03.010/020	ROUND SEALING RING	1	Included in overhaul kit; see page 40.
03.010/030	SCREW PLUG	1	Included in overhaul kit; see page 40.
03.020	TORX SCREW	21	M6X28.5





**FILTER GROUP BMW**

Position #	Description	Quantity	Notes
03.010	PAN ASSEMBLY	1	
03.010/120	SCREW PLUG WITH ROUND SEALING RING	1	M30X1.5
03.010/130	SCREW PLUG	1	M10X1; Included in overhaul kit; see page 40.
03.010/150	MAGNET	2	
03.010/160	CAP	1	
03.020	TORX SCREW	21	M6X22.5
03.030	OIL FILTER	1	
03.030/20	SEALING RING	1	Included in overhaul kit; see page 40.
03.050	GASKET	1	Included in overhaul kit; see page 40.





**FILTER GROUP Ford**

Position #	Description	Quantity	Notes
03.010	FILTER	1	Included in filter kit; see page 35.
03.010/150	MAGNET	2	
03.020	TORX SCREW	21	M6X22.5
03.030	OIL FILTER	1	
03.030/020	SEALING RING	1	Included in overhaul kit; see page 40.
03.050	GASKET	1	Included in overhaul kit; see page 40.

