



Transfer Case Draining and Filling (41.20.04)

1 .



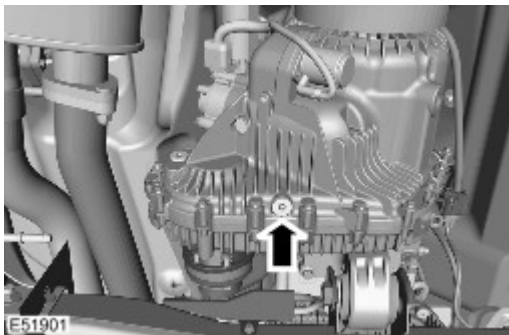
WARNING: Do not work on or under a vehicle supported only by a jack. Always support the vehicle on safety stands.

Raise and support the vehicle.

2 . Position a container to collect the fluid.

3 . Remove the fluid drain plug.

- Clean the immediate area.
- Remove and discard the sealing washer.



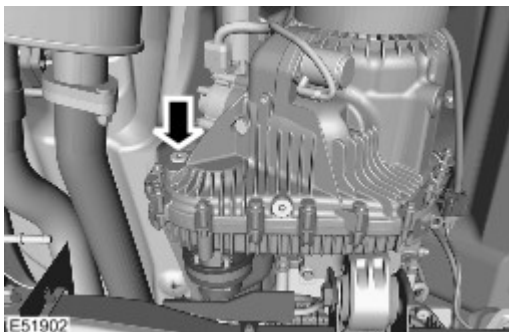
4 . Allow the fluid to drain.

5 . Install the drain plug and tighten it to 22 Nm (16 lb.ft).

- Clean the component mating faces.
- Install a new sealing washer.

6 . Remove the fluid filler/level plug.

- Clean the immediate area.
- Remove and discard the sealing washer.



7 . Refill transfer case with the recommended fluid, until the fluid is level with bottom of filler/level plug hole.

[Specifications](#)

8 . Install the fluid filler/level plug and tighten to 22 Nm (16 lb.ft).

- Clean the component mating faces.

- Install a new sealing washer.