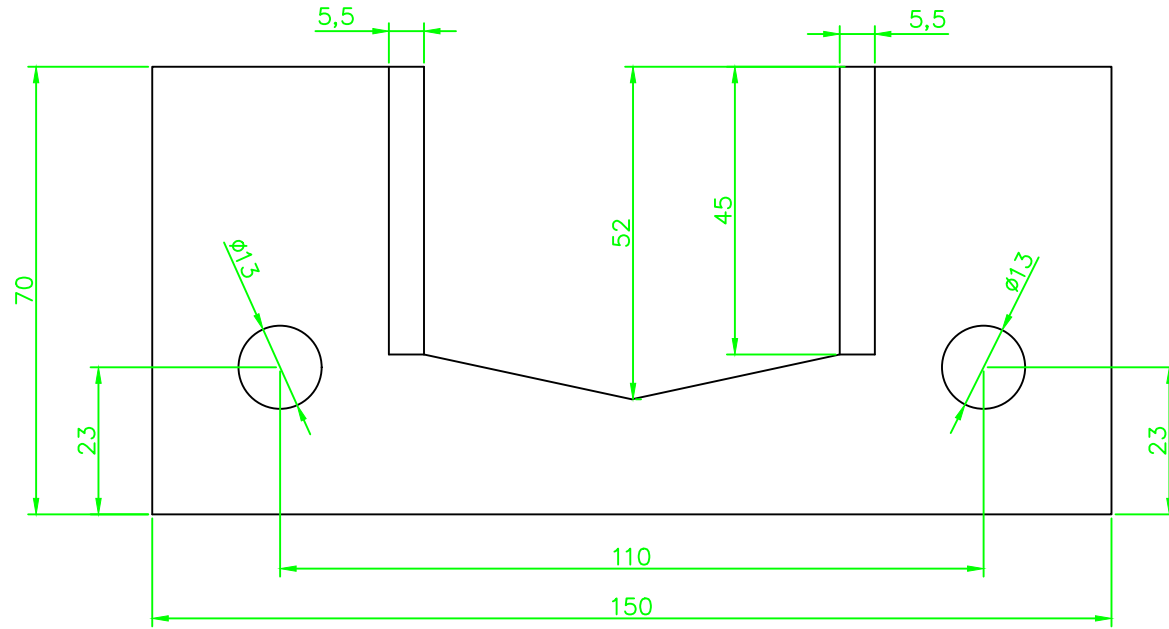


PLATE MADE BY STAINLESS STEEL



- 2 x M12 x 50 SS bolt
- 2 x 23 mm washer
- 2 x 40 mm washer
- 2x M12 autolocking nut (NILOCK)

