

Instrument Panel and Console - Floor Console

Removal and Installation

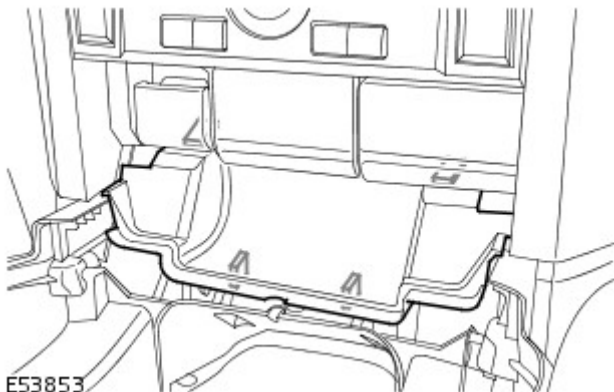
Removal

1. Remove the floor console upper panel.

For additional information, refer to: [Floor Console Upper Panel](#) (501-12 Instrument Panel and Console, Removal and Installation).

2. Remove the cigar lighter assembly closing panel.

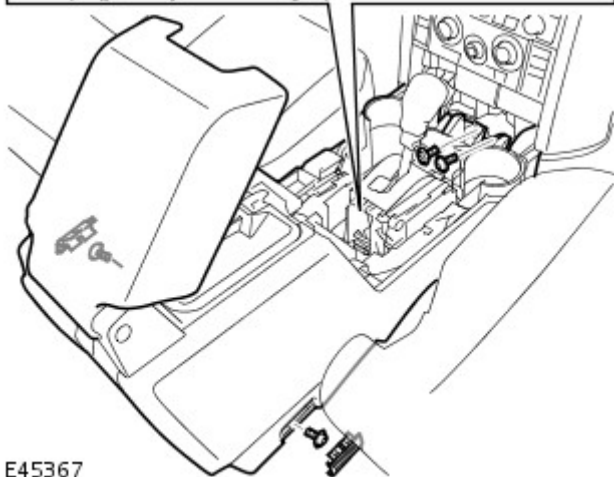
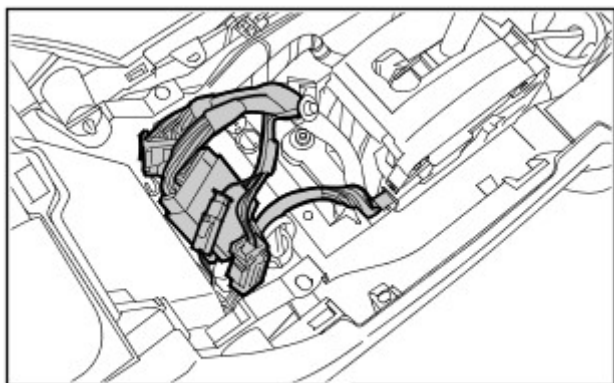
- Release the 4 clips.



3. Release the floor console wiring harness and disconnect the 5 electrical connectors.

4. Remove the floor console.

- Move the front seats fully forwards.
- Remove both rear Torx bolt covers.
- Remove the 4 Torx bolts.

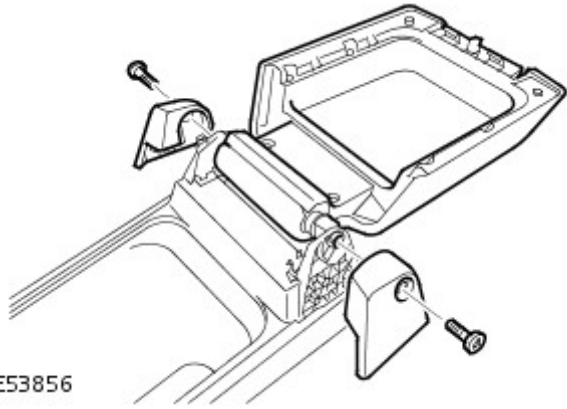


5. **NOTE:** Do not disassemble further if the component is removed for access only.

Remove the floor console lid.

- Open the lid.
- Remove the 2 Torx bolts.

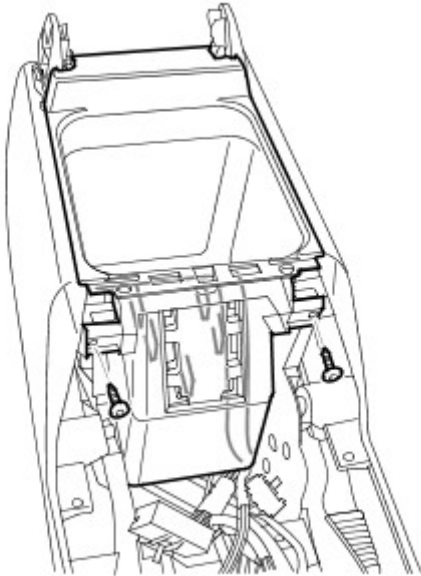
- Remove the 2 covers.



E53856

6. Remove the floor console stowage compartment.

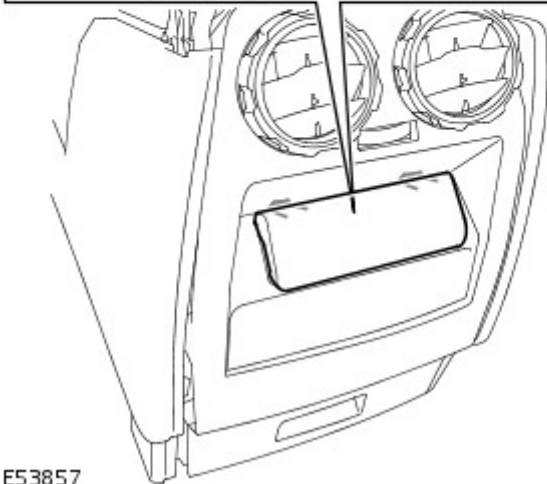
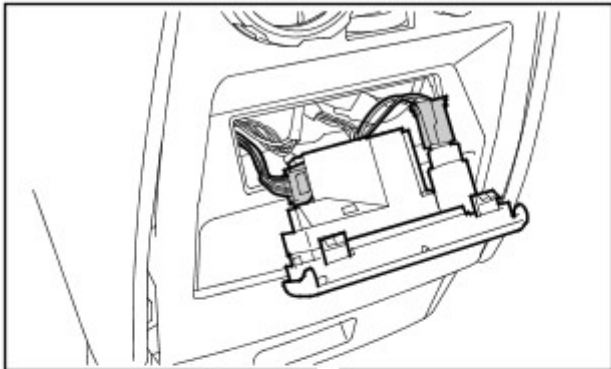
- Remove the 2 Torx screws.
- Release the 5 clips.



E53860

7. Remove the auxiliary socket panel.

- Release the 2 clips.
- Disconnect the 2 electrical connectors.

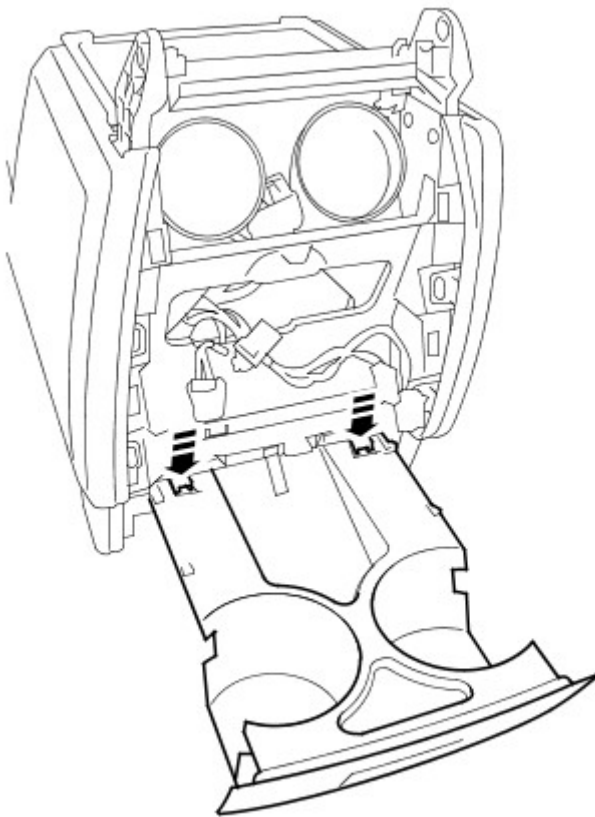


E53857



8. Remove the floor console register trim panel.

- Release the 6 clips.
- Remove the screw.

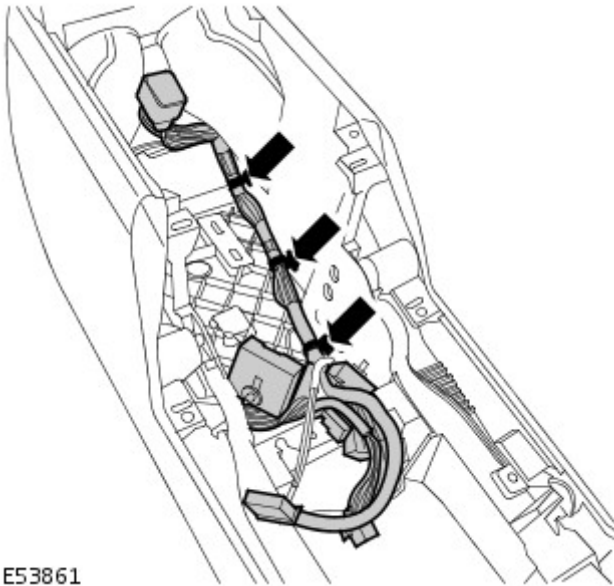


9. Remove the cup holder.

- Release the 2 clips.

10. Remove the wiring harness.

- Release the 3 clips.



E53861

Installation

1. Install the wiring harness.
 - Secure the clips.
2. Install the cup holder.
 - Secure with the clips.
3. Install the floor console register trim panel.
 - Secure with the clips.
 - Install the screw.
4. Install the auxiliary socket panel.
 - Connect the electrical connectors.
 - Secure with the clips.
5. Install the floor console stowage compartment.
 - Secure the clips.
 - Tighten the Torx screws.
6. Install the floor console lid.
 - Install the covers.
 - Tighten the Torx bolts to 3 Nm (2 lb.ft).
7. Install the floor console.
 - Tighten the Torx bolts to 10 Nm (7 lb.ft).
 - Install the Torx bolt covers.
 - Connect and secure the electrical connectors.
8. Install the cigar lighter assembly closing panel.
 - Secure with the clips.
9. Install the floor console upper panel.

For additional information, refer to: [Floor Console Upper](#)

[Panel](#) (501-12 Instrument Panel and Console, Removal and Installation).