

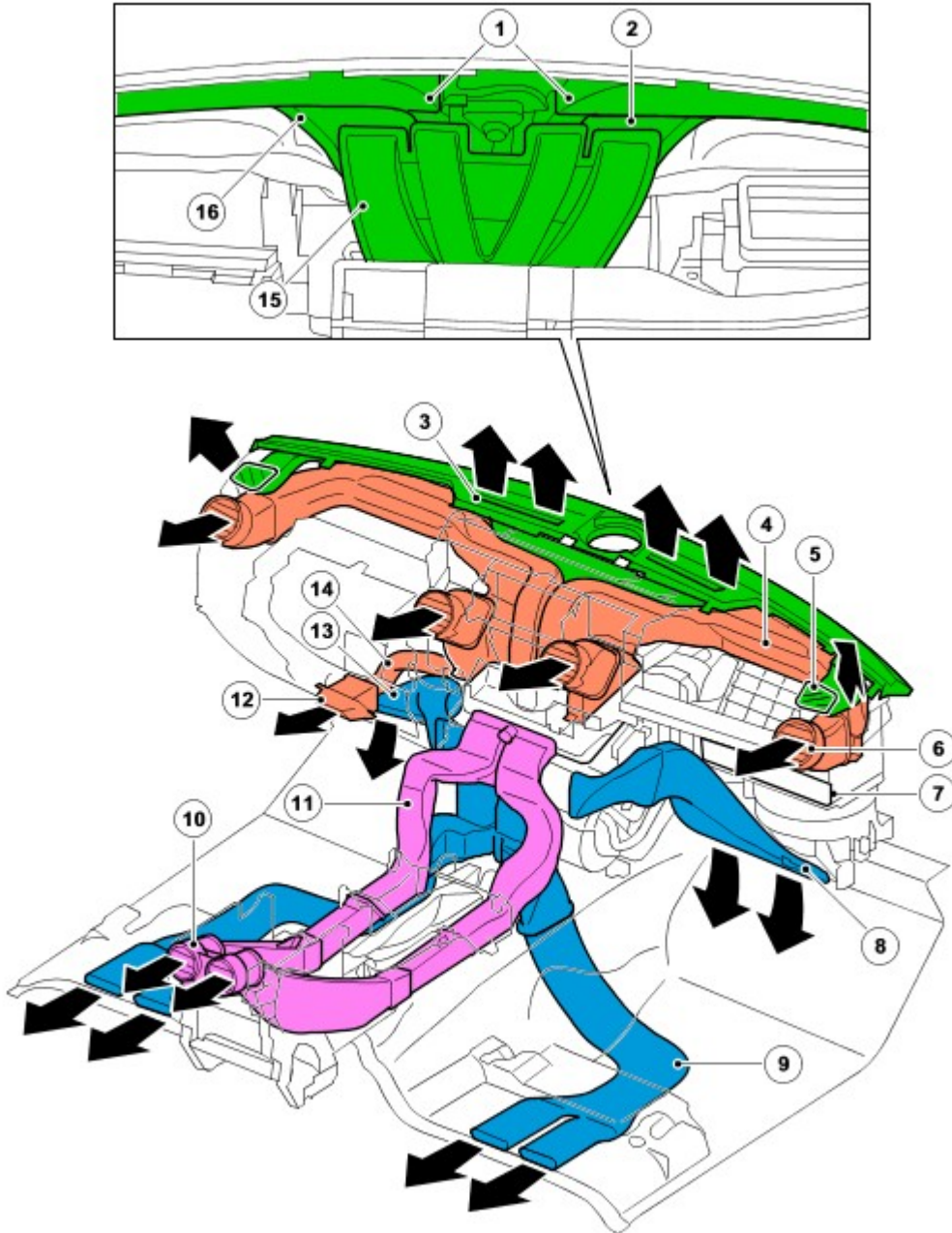


Air Distribution and Filtering

COMPONENT LOCATIONS

NOTE :

LHD installation shown, RHD similar



E47041

Item	Part Number	Description
1	-	Side window ducts
2	-	Windshield duct

3	-	Windshield vent
4	-	Instrument panel register duct
5	-	Side window vent
6	-	Instrument panel register
7	-	Cabin air filter
8	-	Front passenger footwell duct
9	-	Second row footwell duct
10	-	Second row register
11	-	Second row register duct
12	-	Driver lap register
13	-	Driver footwell duct
14	-	Driver lap register duct
15	-	Heater outlet manifold
16	-	Windshield duct

GENERAL

The air distribution and filtering system controls the distribution and quality of air supplied to the vehicle interior. The system consists of:

- Air ducts.
- Air registers and vents.
- A cabin air filter.

AIR DUCTS

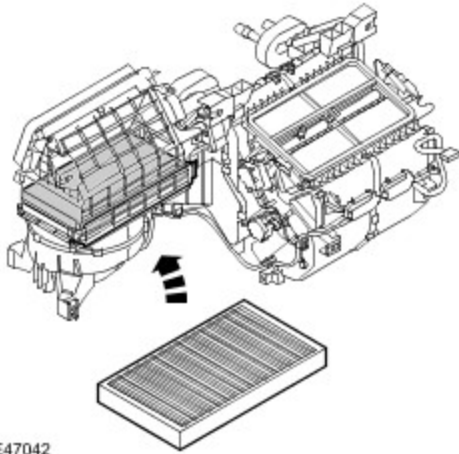
The air ducts distribute the air from the heater to the various registers and air vents around the vehicle interior. The air ducts for the instrument panel registers, the driver lap register and the second row registers are connected to the heater outlet manifold on top of the heater. The air ducts for the front and second row footwells are connected direct to outlet ports on the heater. The air ducts for the windshield vents and the side window vents form part of the structure of the instrument panel.

AIR REGISTERS AND VENTS

The air registers allow occupants to control the flow and direction of air from the air ducts. The driver lap register has moveable vanes to regulate the flow and direction of the air. The instrument panel and second row registers each have a thumbwheel to regulate flow, and moveable vanes to control direction.

The air vents are fixed outlets either integrated into the end of the air duct or installed in the trim panel connected to the air duct.

CABIN AIR FILTER



E47042

The cabin air filter is installed in the air inlet duct and is either a pollen filter or a pollen and odor filter. The pollen filter removes particulates, and the pollen and odor filter removes particulates and unpleasant odors, from the fresh and recirculated air entering the blower.