


Interior Trim and Ornamentation - Front Door Trim Panel

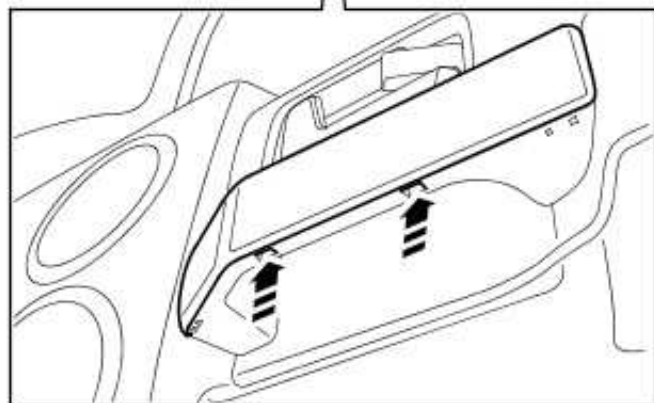
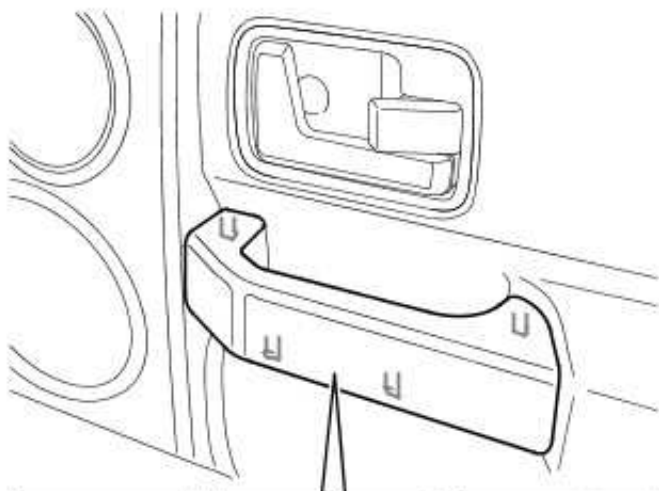
Removal and Installation

Removal

1.  CAUTION: Release the 2 lower clips first, use the access holes.

Remove the grab handle cover.

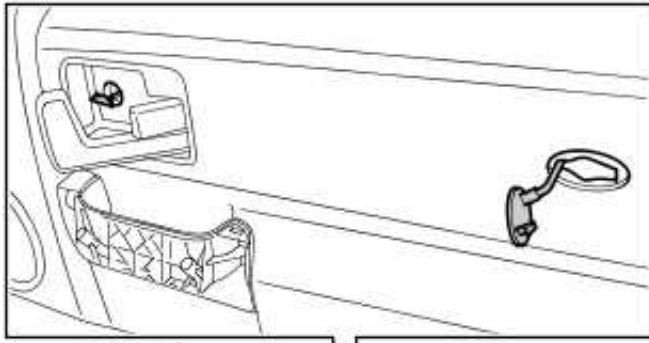
- Release the 4 clips.



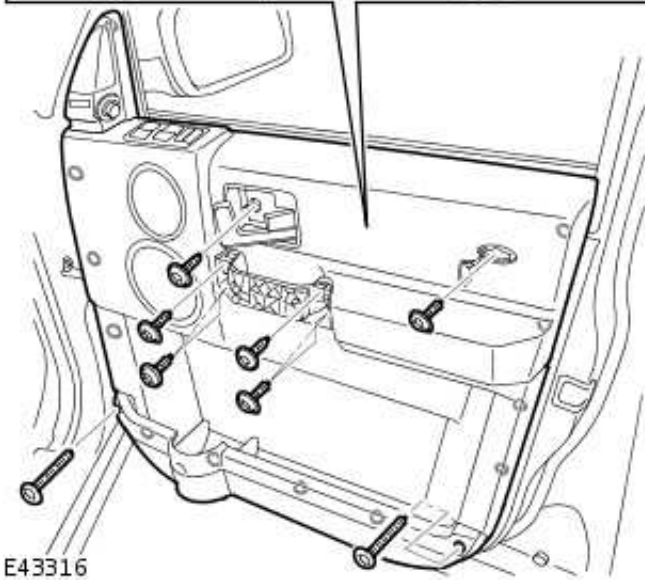
E43313

2. Release the front door trim panel.

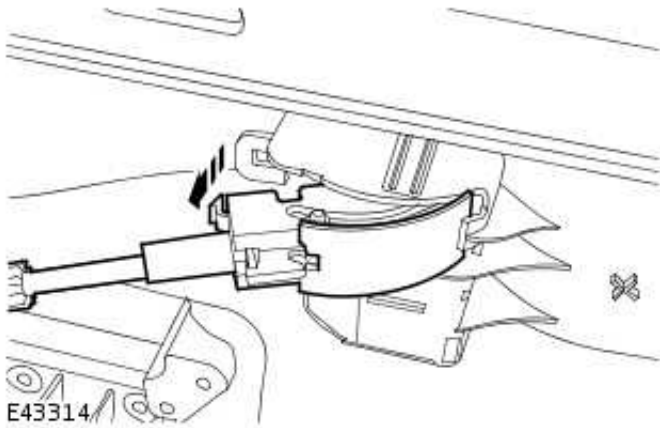
1. Release the front door trim panel.



- Release the 2 screw covers.
- Remove the 8 screws.
- Release the 12 clips.



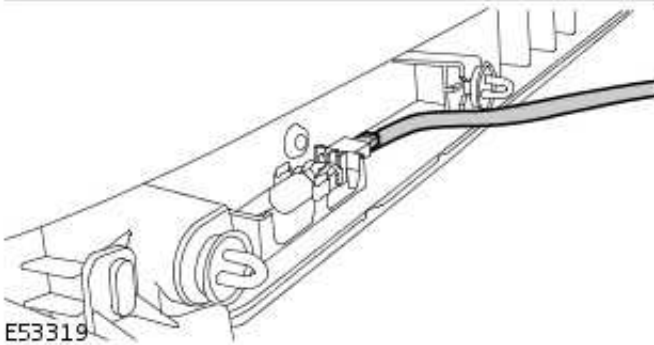
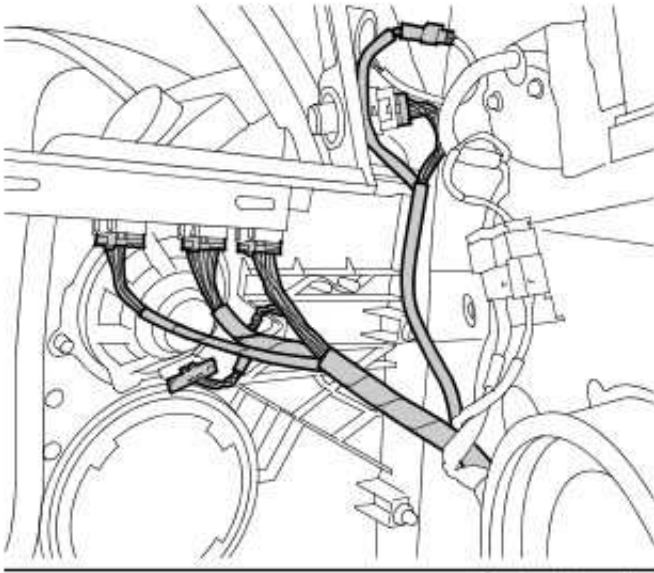
3. Disconnect the door latch remote release cable.



4. Remove the front door trim panel.

Remove the front door trim panel.

- Disconnect the 7 electrical connectors.

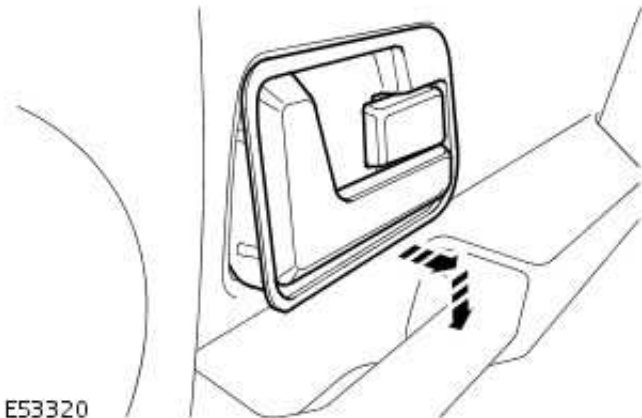


E53319

5. NOTE: Do not disassemble further if the component is removed for access only.

Remove the front door latch remote control handle.

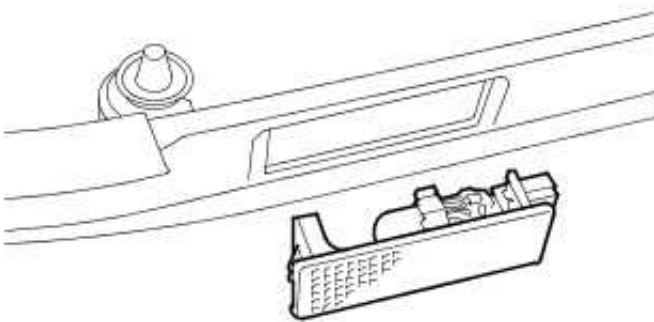
- Starting at the lower edge, carefully release the remote handle.



E53320

6. Remove the puddle lamp.

- Carefully release the lamp.

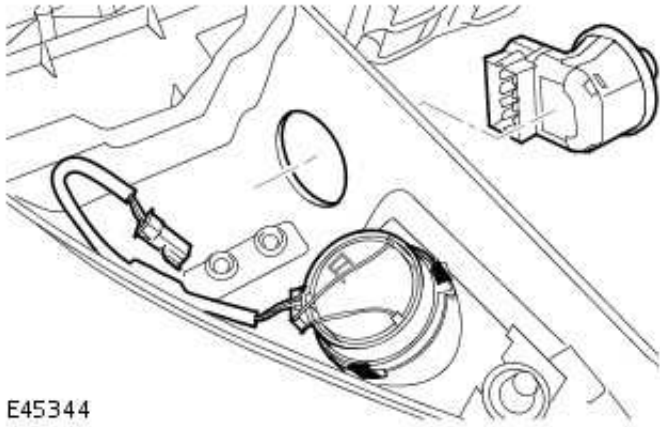


E43315

7. Remove the tweeter.

- Release the 3 clips.

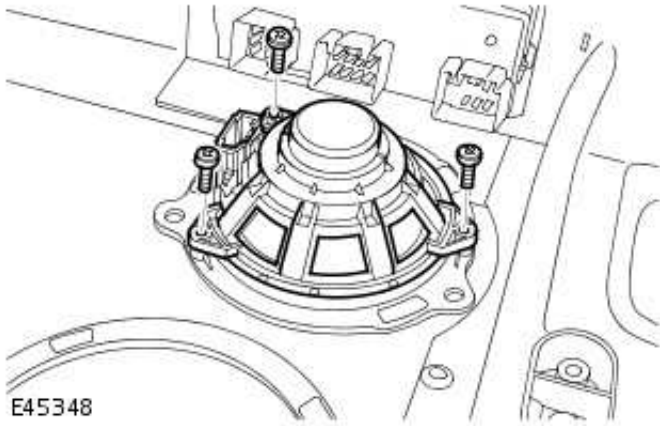
8. Remove the mirror control switch.



E45344

- Release the 2 clips.

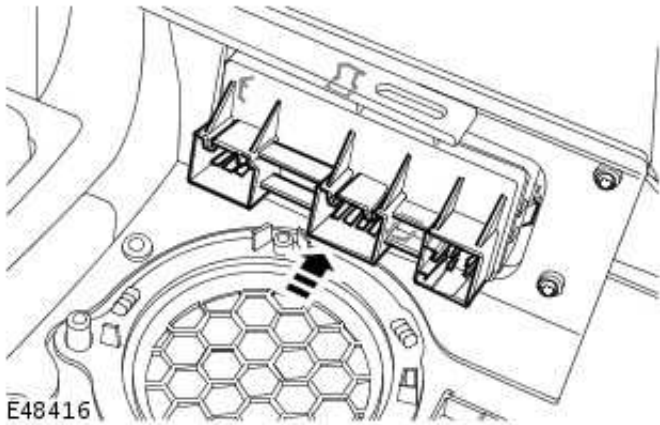
9. Remove the speaker.



E45348

- Remove the 3 Torx screws.

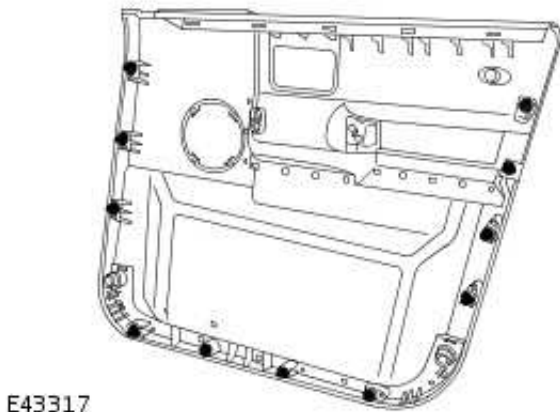
10. Remove the window control switch.



E48416

- Carefully release the 4 clips.

11. Remove the 12 clips.



E43317

Installation

1. Install the window control switch.

- Secure with the clips.

2. Install the speaker

- Tighten the Torx screws.

3. Install the mirror control switch.

- Secure with the clips.

4. Install the tweeter.

- Secure with the clips.

5. Install the puddle lamp.

6. Install the front door latch remote control handle.

7. Install the clips.

8. Install the front door trim panel.

- Connect the electrical connectors.
- Connect the door latch remote control cable.
- Secure with the clips.
- Tighten the screws.
- Install the screw cover.

9. Install the grab handle cover.