

## Bumpers - Front Bumper Cover

Removal and Installation

### Removal

- NOTE: Removal steps in this procedure may contain installation details.

1. Disconnect the battery ground cable.

Refer to: [Specifications](#) (414-00 Battery and Charging System - General Information, Specifications).

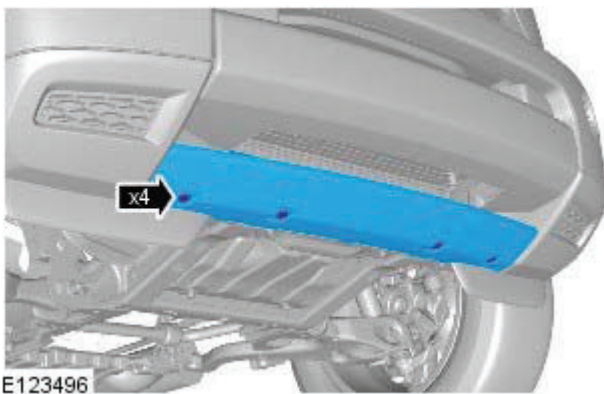
2. Refer to: [Front Fender Moulding](#) (501-08 Exterior Trim and Ornamentation, Removal and Installation).

3.  **WARNING:** Make sure to support the vehicle with axle stands.

Raise and support the vehicle.

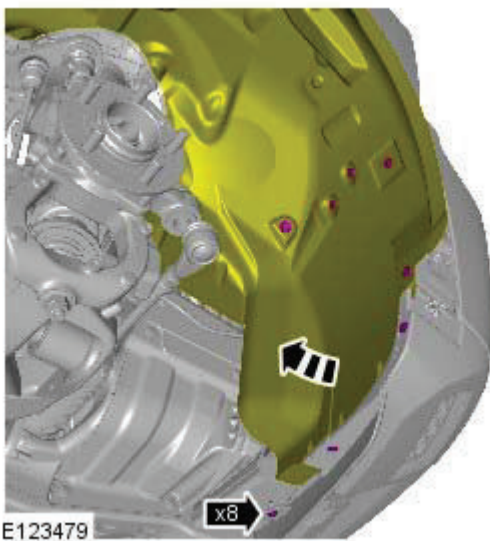
4. Remove both the front wheels and tires.

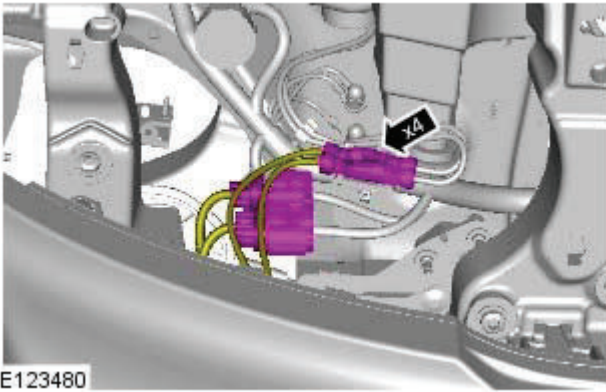
5.



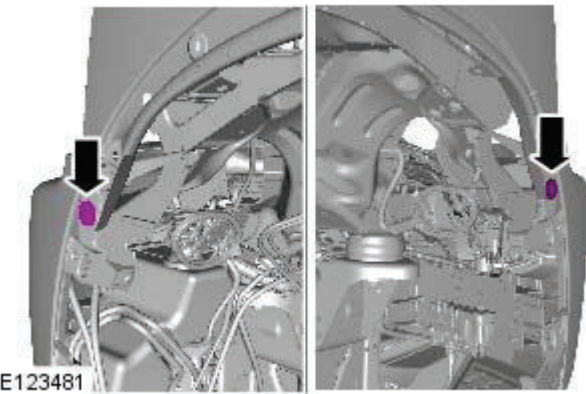
6. **NOTE:** The procedure must be carried out on both sides.

*Torque:* 1 Nm

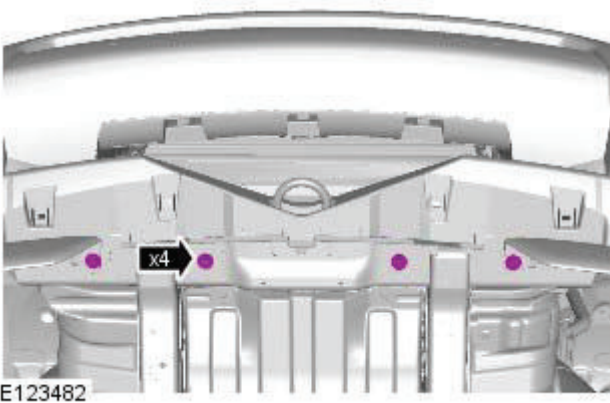




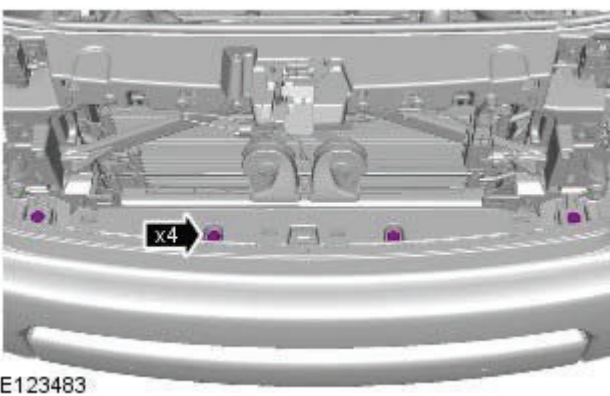
7.  CAUTION: Take extra care not to damage the wiring harnesses.



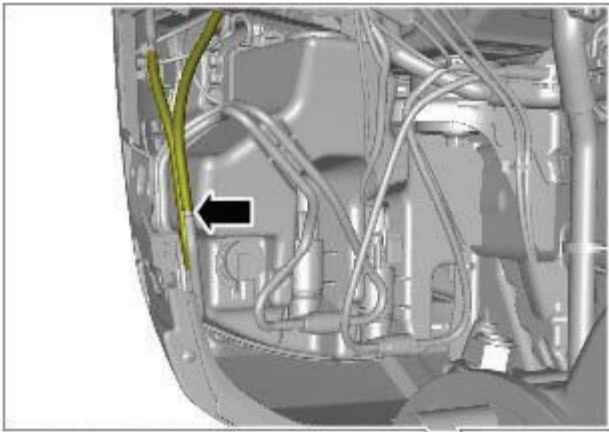
8. Torque: 5 Nm



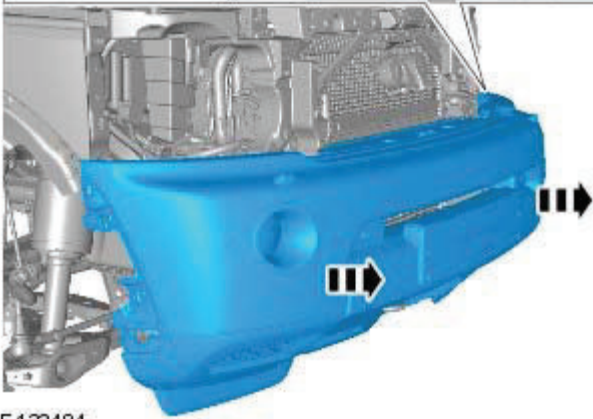
9. Torque: 5 Nm



10. Torque: 5 Nm



11. **11.** NOTE: With assistance remove the component.



E 123484



12. **12.** NOTE: Do not disassemble further if the component is removed for access only.

*Torque: 1 Nm*

E 123485