




## Rear Bumper Cover (76.22.74)

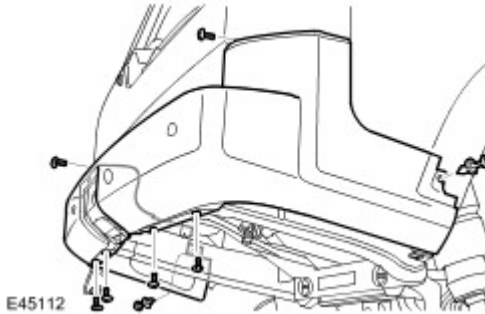
### Removal

#### All vehicles

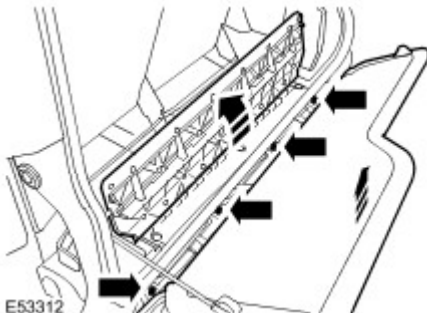
1.  **WARNING: Do not work on or under a vehicle supported only by a jack. Always support the vehicle on safety stands.**

Raise and support the vehicle.

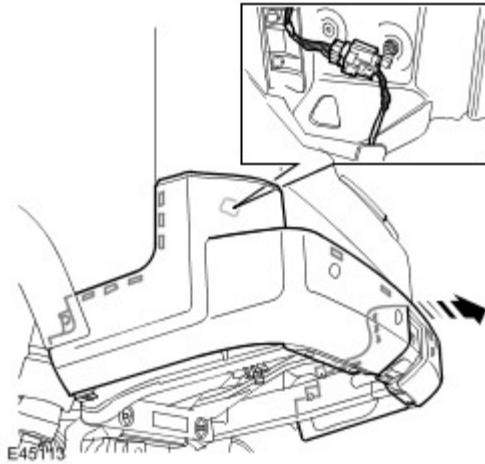
2. Remove both rear lamp assemblies. For additional information, refer to [Rear Lamp Assembly \(86.40.70\)](#) (Section 417-01)
3. Remove both rear quarter panel mouldings. For additional information, refer to [Rear Quarter Panel Moulding \(76.43.55\)](#) (Section 501-08)
4. Remove 4 screws, 2 clips and 2 bolts from the rear bumper cover.



5. With assistance, remove 4 clips from the inner edge of the bumper cover.
  - ▶ Tilt the tailgate for access.
  - ▶ Open the tailgate hinge cover.

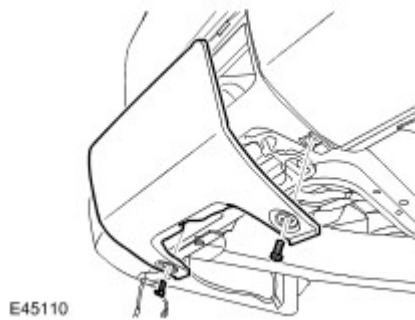


6. Remove the rear bumper cover.
  - ▶ Release from the 12 clips.
  - ▶ If installed, disconnect the parking aid sensor wiring harness electrical connector.



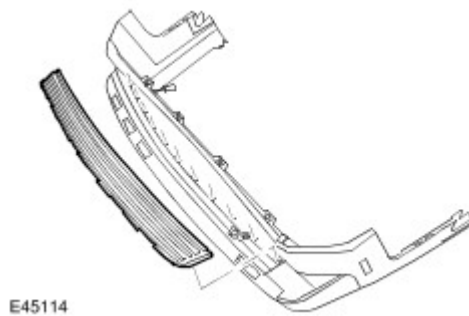
7. **NOTE :**  
Do not disassemble further if the component is removed for access only.  
Remove the towing eye cover.

▶ Remove the 2 screws.



8. Remove the rear bumper trim panel.

▶ Release the 11 clips.



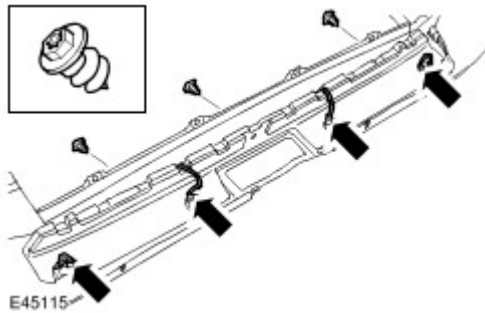
9. Remove the bumper insert.

▶ Remove the 3 screws.

### Vehicles with parking aid

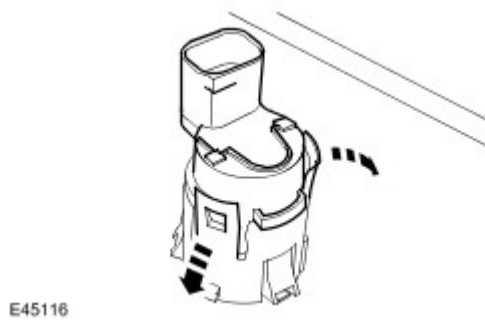
1. Remove the parking aid sensor wiring harness.

- ▶ Disconnect the 4 electrical connectors.



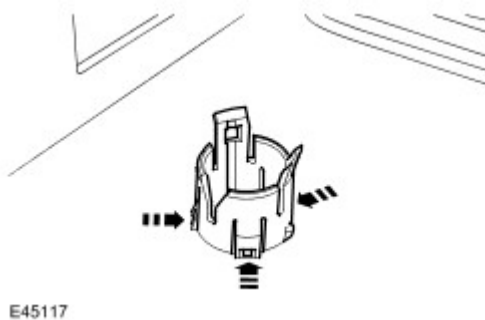
### Vehicles with parking aid

1. Remove the parking aid sensor.
  - ▶ Release the 2 clips.
  - ▶ Repeat the above procedure for the remaining 3 sensors.



### Vehicles with parking aid

1. Remove the parking aid sensor trim panel.
  - ▶ Release the 3 clips.
  - ▶ Repeat the above procedure for the remaining 3 sensor trim panels.



### Installation

#### Vehicles with parking aid

- 1.

Install the parking aid sensor trim panels.

### Vehicles with parking aid

1. Install the parking aid sensors.

### Vehicles with parking aid

1. Install the parking aid sensor wiring harness.
  - ▶ Connect the electrical connectors.
2. Install the bumper insert.
  - ▶ If installed, secure the parking aid sensor wiring harness.
  - ▶ Tighten the screws.
3. Install the rear bumper trim panel.
4. Install the towing eye cover.
  - ▶ Tighten the screws.
5. Install the rear bumper cover.
  - ▶ If installed, connect the parking aid sensor wiring harness electrical connector.
  - ▶ Secure with the clips.
  - ▶ Tighten the screws.
  - ▶ Tighten the bolts to 10 Nm (7 lb.ft).
6. Install both rear quarter panel mouldings. For additional information, refer to [Rear Quarter Panel Moulding \(76.43.55\)](#) (Section 501-08)
7. Install both of the rear lamp assemblies. For additional information, refer to [Rear Lamp Assembly \(86.40.70\)](#) (Section 417-01)