

TECHNICAL BULLETIN

LTB00154v3

11 DEC 2013



© Jaguar Land Rover Limited
All rights reserved.

This reissue replaces all previous versions. Please destroy all previous versions. This bulletin supersedes TSB LTB00154v2/2010 dated 27 AUG 2010, which should either be destroyed or clearly marked to show it is no longer valid (e.g. with a line across the page). Only refer to the electronic version of this Technical Bulletin in TOPIx.

Changes are highlighted in gray

SECTION: 211-00

Squeak From Steering Gear

AFFECTED VEHICLE RANGE:

Discovery 3 / LR3 (LA)

Model Year: 2005-2009

VIN: 5A000259-9A513325

Discovery 4 / LR4 (LA)

Model Year: 2010 Onwards

VIN: AA513326 Onwards

MARKETS:

All

CONDITION SUMMARY:

Situation:

The customer may report a squeak from the steering column area on rotation of the steering wheel.

This version has been issued to remove the closing VIN.

Cause: The power steering pinion seal lacks lubrication and dries out. **Suggested Customer Concern Code - N58.**



NOTE: This procedure must be carried out on a customer complaint basis only.

Action: Should a customer express concern, follow the Service Instruction outlined below.

PARTS:

LR010545

Steering rack pinion seal kit

Quantity: 1

WARRANTY:



NOTE: Repair procedures are under constant review, and therefore times are subject to change; those quoted here must be taken as guidance only. Always refer to TOPIx to obtain the latest repair time.



NOTE: DDW requires the use of causal part numbers. Labor only claims must show the causal part number with a quantity of zero.

DESCRIPTION	SRO	TIME	CONDITION CODE	CAUSAL PART
Replace pinion oil seal - 3.0L TDV6	57.15.89/41	1.5 hours	42	LR011316
Replace pinion oil seal - 5.0L	57.15.89/41	1.1 hours		
Replace pinion oil seal - 2.7L TDV6	57.15.89/41	1.3 hours		
Replace pinion oil seal - 4.0L	57.15.89/41	1.1 hours		
Replace pinion oil seal - 4.4L	57.15.89/41	1.2 hours		



NOTE: Normal Warranty procedures apply.

SERVICE INSTRUCTION:

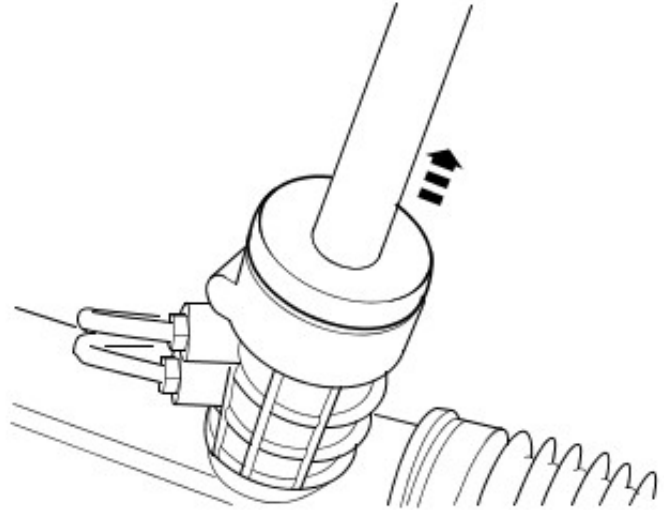
1 Remove steering gear (see TOPIx Workshop Manual, section: 211-02).

2  **CAUTION: Do not over tighten the vice or damage the feed pipes.**

Secure steering gear in vice (using soft-jaws to protect the housing) with the pinion located vertically.

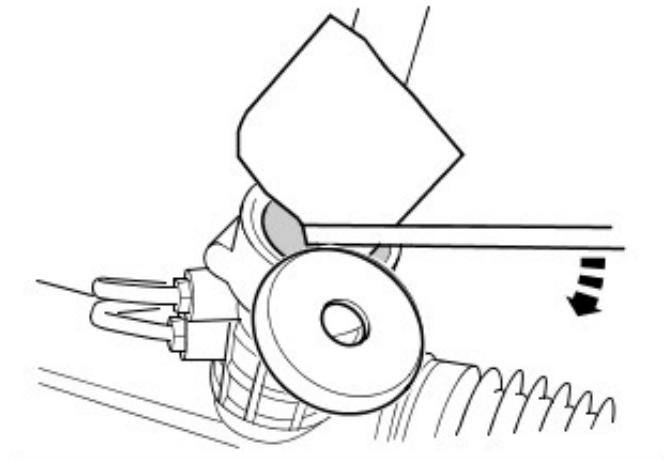
3 Remove (by hand) the top white dust cover and discard.

1. Clean the cavity, housing and shaft of any excess grease.



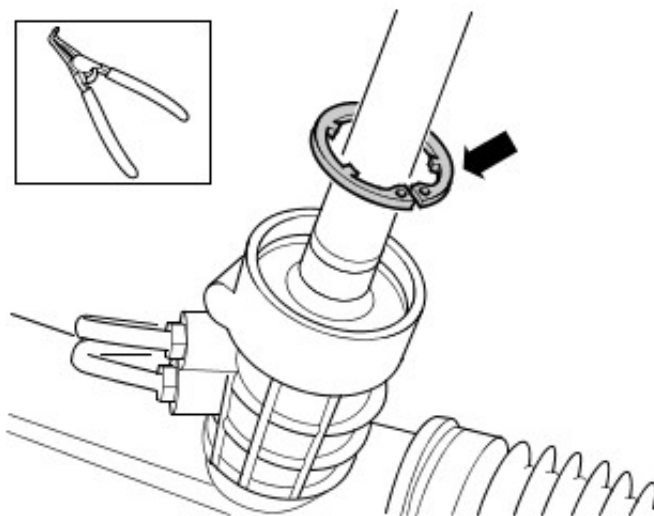
E104312

4 Using a suitable lever, and a protective card to protect the pinion housing, prize the black dust excluder from the housing and discard.



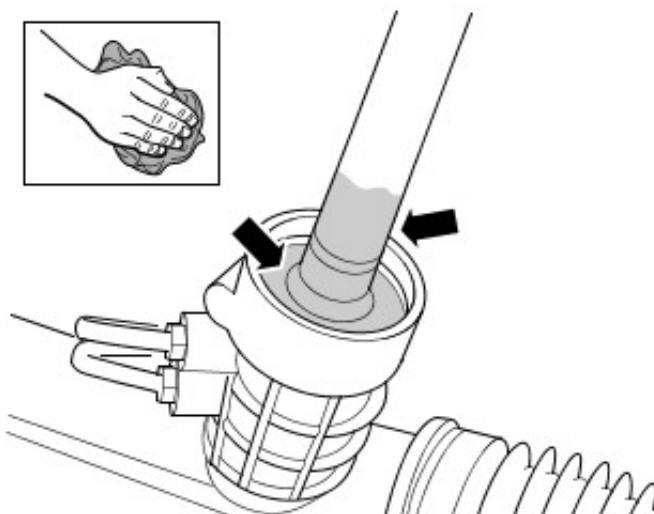
E104313

5 Using suitable internal pliers, remove the circlip situated in the cavity and place aside.



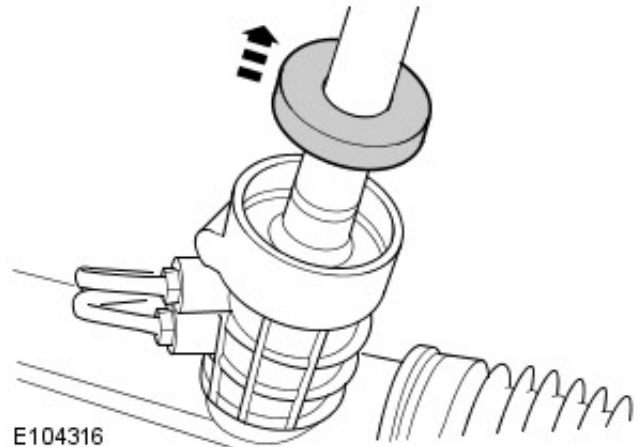
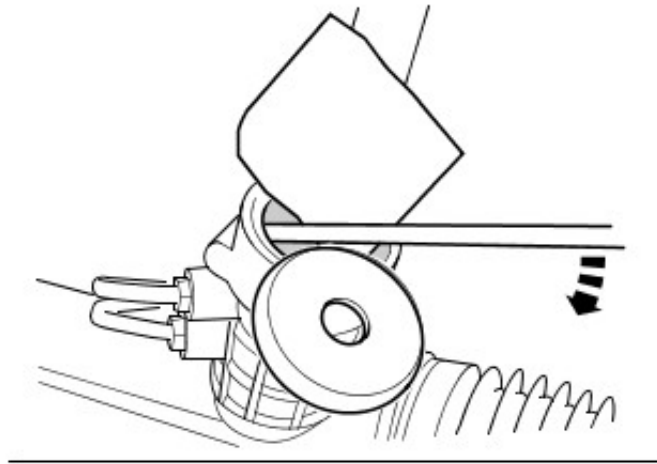
E104314

6Clean the cavity, housing and shaft of any excess grease.




E104315

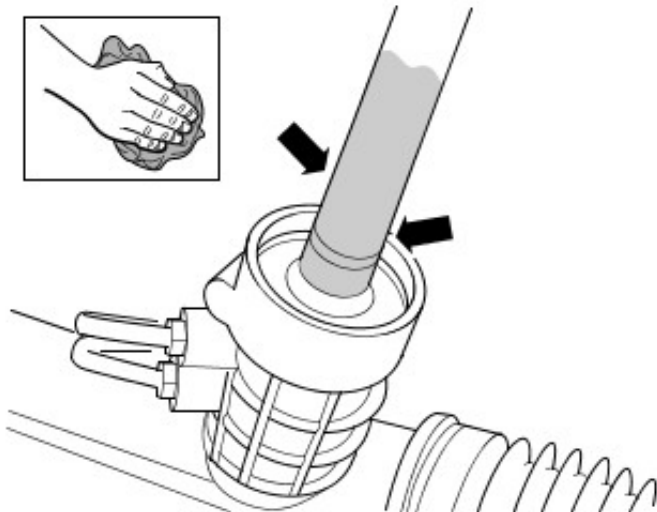
7Using a suitable lever, an 8mm flat screw driver and a protective card against the pinion, carefully prize the black top seal from the housing and discard.



E104316

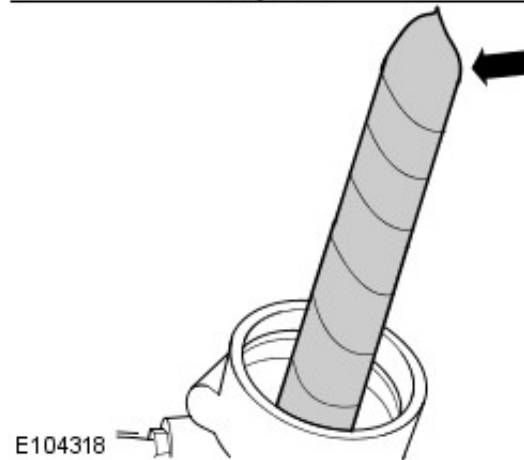
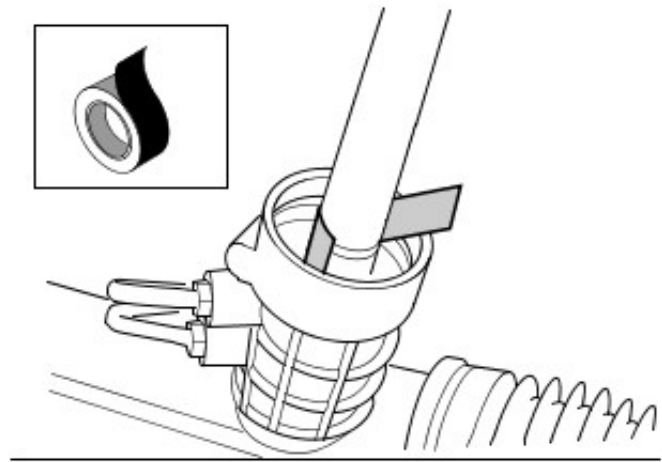
- 8**  **NOTE: If any gouge/scratch or damage has occurred to the internal surfaces of the housing, then a new steering gear must be installed.**

Clean the pinion shaft and verify that no damage has occurred to the pinion diameter whilst removing the seal.



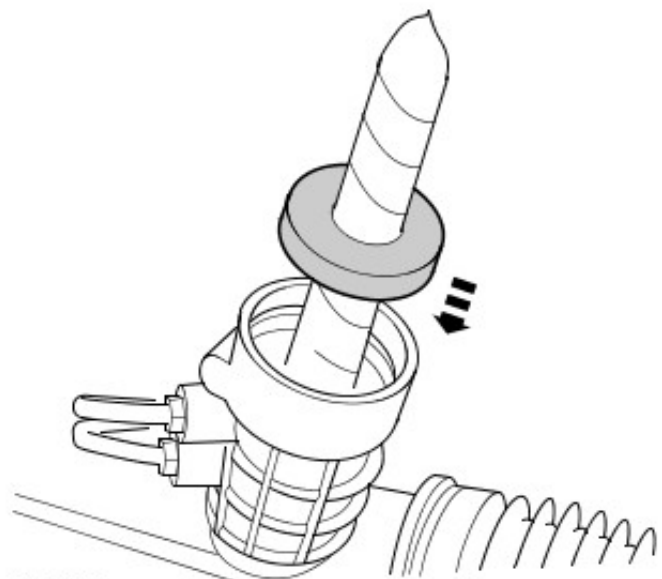
E104317

- 9** Place clean adhesive tape around the pinion (starting at the lower chamfer and winding upwards) to cover the input shaft completely.



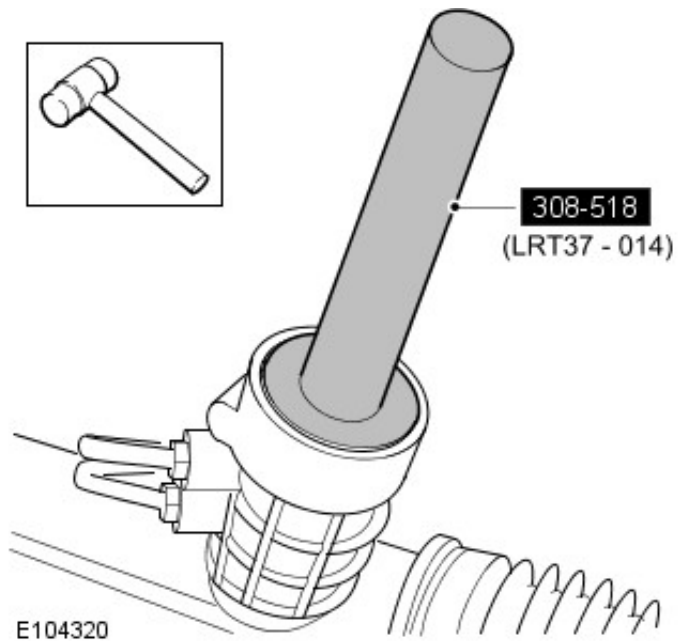
E104318

- 10** Install (by hand) the new hydraulic top seal over the pinion and slide down the pinion.



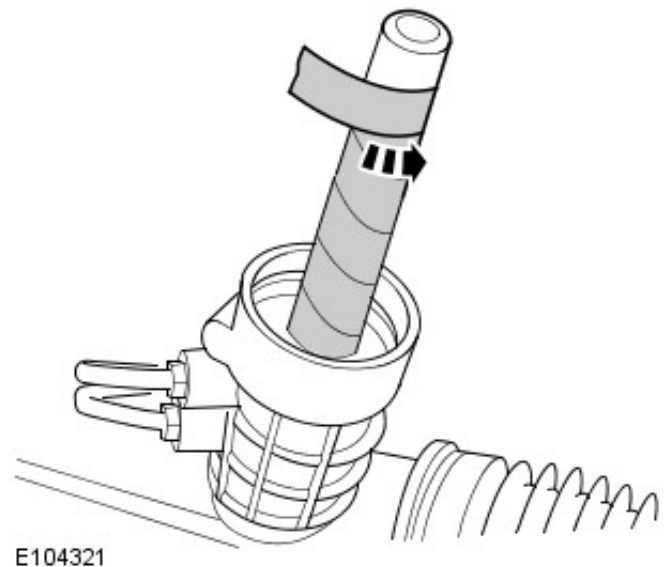
E104319


- 11** Install the new seal (using special tool LRT37-014, Global number 308-518), apply squarely and firmly into the housing against the top bearing.



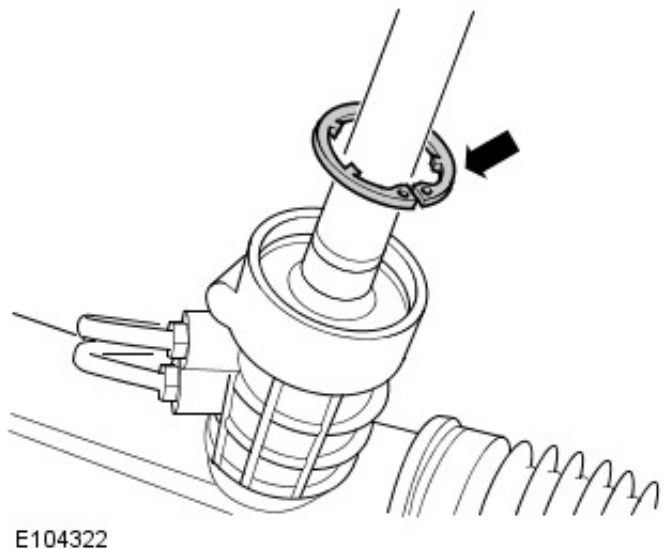
- 12**  **CAUTION: Do not use sharp objects to remove the adhesive tape.**

Peel off and remove all the adhesive tape from the pinion and discard.

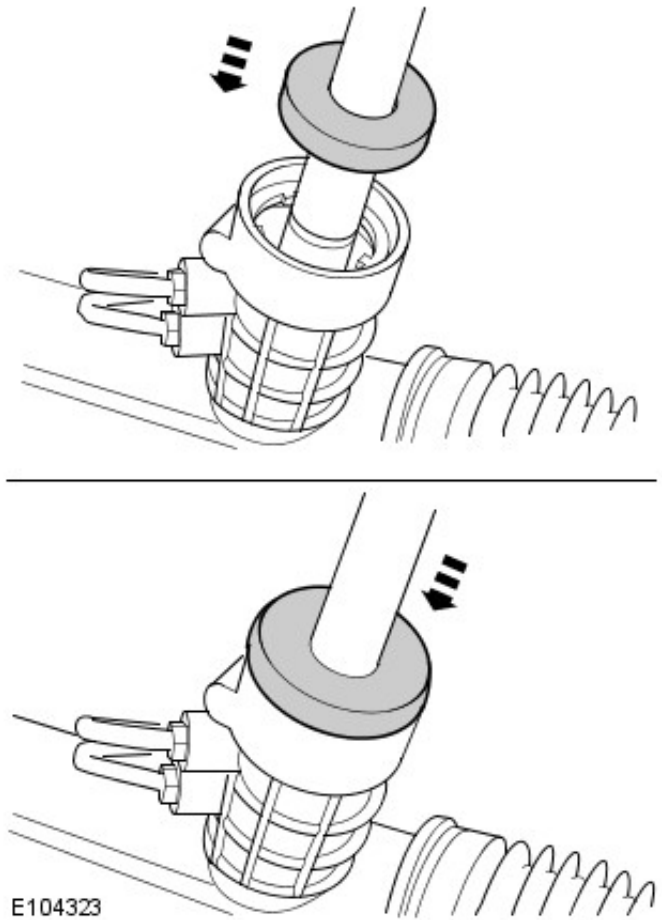


- 13**  **CAUTION: Ensure that the circlip is correctly located in the slot, by visually verifying by the extension of the circlip ears. Verify that the circlip gap is correct when installed, using suitable vernier callipers.**

Install the circlip, ensuring that the circlip is correctly located.



- 14** Install (by hand) the new dirt excluder and dust cover ensuring that they are firmly seated.



15 Install steering gear (see TOPIx Workshop Manual, section: 211-02).

16 Start vehicle and check the area around the top of the steering housing for leaks.