


Rear Bumper Cover (76.22.74)

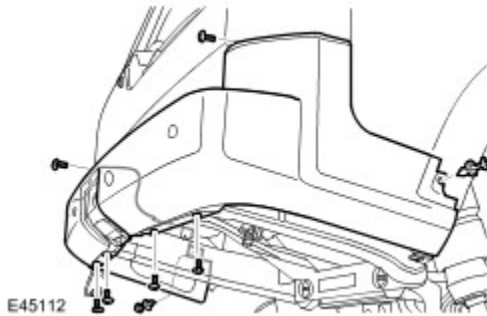
Removal

All vehicles

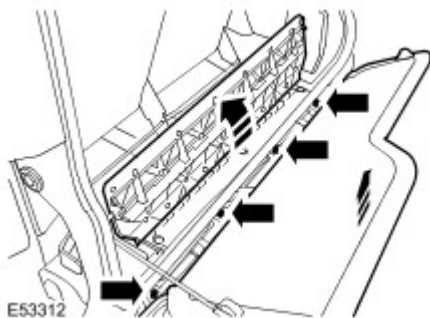
- 1  **WARNING : Do not work on or under a vehicle supported only by a jack. Always support the vehicle on safety stands.**

Raise and support the vehicle.

- 2 . Remove both rear lamp assemblies.
For additional information, refer to : External Lighting, 417-01.
- 3 . Remove both rear quarter panel mouldings.
For additional information, refer to : Exterior Trim and Ornamentation,501-08.
- 4 . Remove 4 screws, 2 clips and 2 bolts from the rear bumper cover.

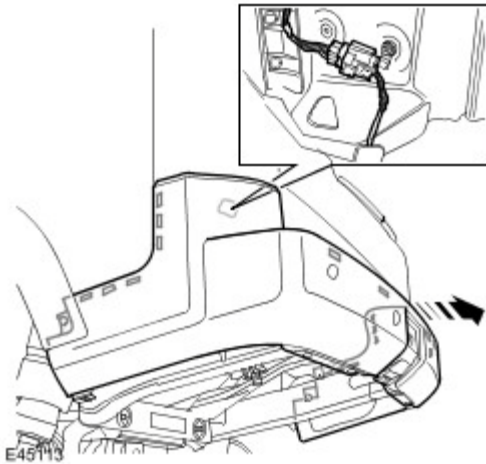


- 5 . With assistance, remove 4 clips from the inner edge of the bumper cover.
 - ▶ Tilt the tailgate for access.
 - ▶ Open the tailgate hinge cover.



- 6 Remove the rear bumper cover.

- ▶ Release from the 12 clips.
- ▶ If installed, disconnect the parking aid sensor wiring harness electrical connector.

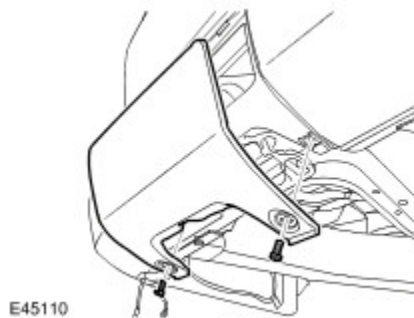


7 . NOTE :

Do not disassemble further if the component is removed for access only.

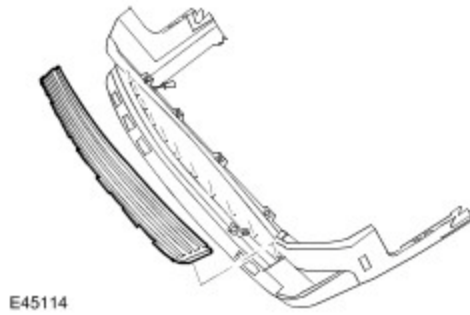
Remove the towing eye cover.

- ▶ Remove the 2 screws.



8 . Remove the rear bumper trim panel.

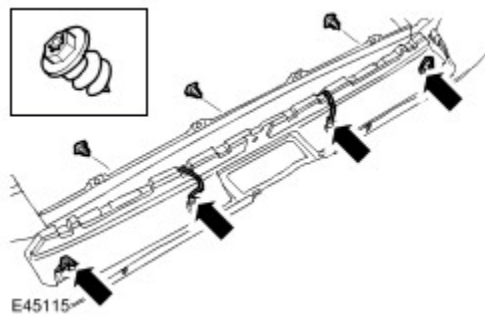
- ▶ Release the 11 clips.



- 9 . Remove the bumper insert.
▶ Remove the 3 screws.

Vehicles with parking aid

- 10 . Remove the parking aid sensor wiring harness.
▶ Disconnect the 4 electrical connectors.



Vehicles with parking aid

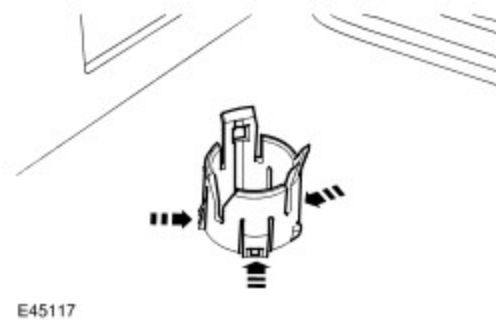
- 11 . Remove the parking aid sensor.
▶ Release the 2 clips.
▶ Repeat the above procedure for the remaining 3 sensors.



Vehicles with parking aid

12 . Remove the parking aid sensor trim panel.

- ▶ Release the 3 clips.
- ▶ Repeat the above procedure for the remaining 3 sensor trim panels.



Installation

Vehicles with parking aid

1 . Install the parking aid sensor trim panels.

Vehicles with parking aid

2 . Install the parking aid sensors.

Vehicles with parking aid

3 . Install the parking aid sensor wiring harness.

- ▶ Connect the electrical connectors.

4 . Install the bumper insert.

- ▶ If installed, secure the parking aid sensor wiring harness.
- ▶ Tighten the screws.

5 . Install the rear bumper trim panel.

6 . Install the towing eye cover.

▶ Tighten the screws.

7 . Install the rear bumper cover.

- ▶ If installed, connect the parking aid sensor wiring harness electrical connector.
- ▶ Secure with the clips.
- ▶ Tighten the screws.
- ▶ Tighten the bolts to 10 Nm (7 lb.ft).

8 . Install both rear quarter panel mouldings.

For additional information, refer to : Exterior Trim and Ornamentation,501-08.

9 . Install both of the rear lamp assemblies.

For additional information, refer to : External Lighting, 417-01.

Rear Lamp Assembly (86.40.70)

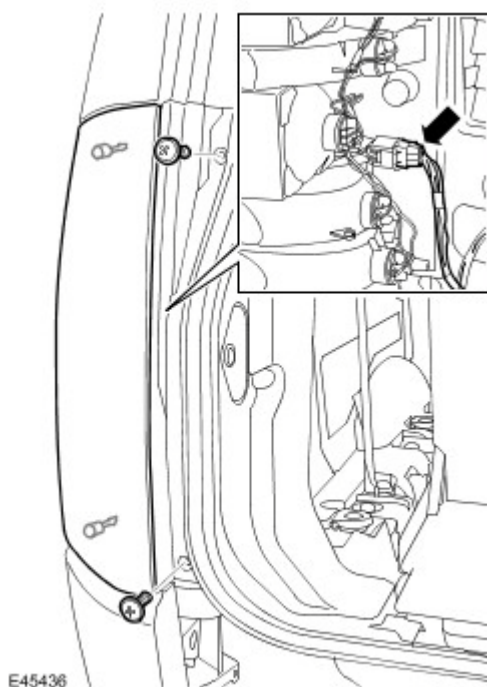
Removal

1 . Open the liftgate and tailgate.

- 2  **CAUTION : Always protect paintwork and glass when removing exterior components.**

Remove the rear lamp assembly.

- ▶ Remove the 2 screws.
- ▶ Release the 2 clips.
- ▶ Disconnect the electrical connector.



3 . **NOTE :**

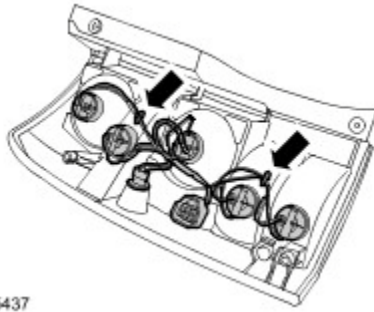
Do not disassemble further if the component is removed for access only.

NOTE :

Note the fitted position.

Remove the wiring harness.

- ▶ Release the wiring harness from the 2 clips.
- ▶ Release the 6 bulb holders.
- ▶ Release the electrical connector.



Installation

1 . Install the wiring harness.

- ▶ Install the 6 bulb holders.
- ▶ Install the electrical connector.
- ▶ Secure the wiring harness in the clips.

2 . Install the rear lamp assembly.

- ▶ Connect the electrical connector.
- ▶ Secure with the 2 clips.
- ▶ Tighten the screws.

3 . Close the tailgates.

Rear Quarter Panel Moulding (76.43.55)

Removal

1 . Remove the mud flap.

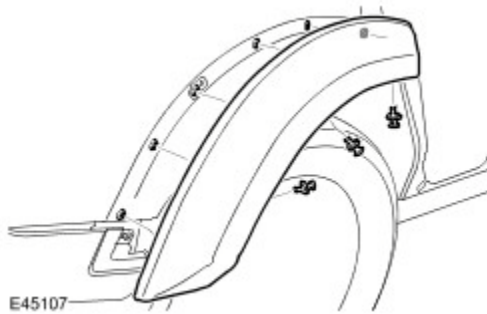
▶ Remove the 3 screws.



2 . Remove the rear quarter panel moulding.

▶ Remove the 3 clips from the underside of the moulding.

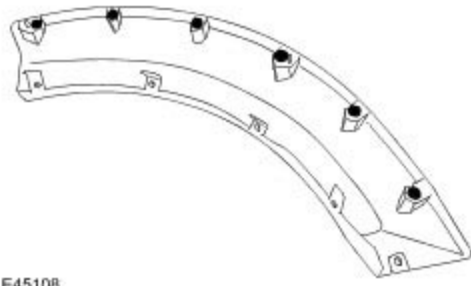
▶ Release the 6 clips from the rear quarter panel.



3 . **NOTE :**

Do not disassemble further if the component is removed for access only.

Remove the clips from the moulding.



E45108

Installation

- 1 . To install, reverse the removal procedure.