

## Wiring for Ford ISO Adapter



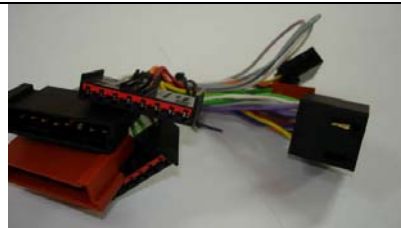
### Car's models :

<b>Aerostar :</b>	1992-1997	<b>F-Series :</b>	1994-2004
<b>Aspire :</b>	1996-1997	<b>Galaxy :</b>	1996-2001
<b>Bronco :</b>	1992-1996	<b>Ka :</b>	> 1997
<b>Connect :</b>	> 2003	<b>Maverick :</b>	1993-2001
<b>Cougar :</b>	> 1998	<b>Mondeo :</b>	1993-2002
<b>Courier :</b>	> 1996	<b>Mustang :</b>	1994-2003
<b>Escape :</b>	2001-2003	<b>Orion :</b>	> 1986
<b>Escort :</b>	> 1991	<b>Probe :</b>	> 1993
<b>Expedition :</b>	1997-2002	<b>Puma :</b>	1996-2002
<b>Explorer :</b>	1998 - 2003	<b>Ranger :</b>	1993-2001
<b>Falcon :</b>	> 1994	<b>Scorpio / Sierra:</b>	> 1986
<b>Fiesta :</b>	1996-2001	<b>Taurus :</b>	1996-1999
<b>Focus :</b>	1998-2004	<b>Thunderbird :</b>	1986-1997
<b>Fusion :</b>	> 2002 (6000 – 6006)	<b>Transit :</b>	1986-2002

**Reference :** AC0000011AA

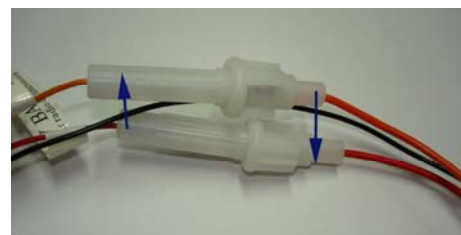
If you are interested, contact our sales department :

[sales@parrot.fr](mailto:sales@parrot.fr)




**Some Ford cars have an inverted polarity. 12V Ignition and the 12V Permanent are inverted so change the fuses holders : red to orange and orange to red**

**If you install a CK3100, you must see the message “good bye” on your display when you cut off your engine. If you don’t have, you don’t have the correct polarity.**




### Car kit Parrot Battery

Pin Number		Couleur	Description
1		White	Mute In 1
2		Yellow	Mute In 2
3		Blue	Mute In 3
4		Orange	+ 12V Memory
5		Green	
6		Brown	
7		Red	+ 12 V Permanent
8		Black	Masse



### Car kit Parrot, car's speakers

Pin Number		Couleur	Description
1		Grey	Rear right speaker +
2		White	Rear right speaker -
3		Blue	Front right speaker +
4		Green	Front right speaker -
5		Red	Front left speaker +
6		Orange	Front left speaker -
7		Bronw	Rear left speaker +
8		Black	Rear left speaker -



### Ford Audio




N°		Color	Description
3		Green	Rear left speaker +
1		White	Rear left speaker +
5		Grey	Front Right speaker +
7		Violet	Rear Right speaker +
4		Green Black	Rear Left speaker -
2		White Black	Front Left speaker -
6		Grey Black	Front Right speaker-
8		Black Violet	Rear Right speaker -

### Ford Supply



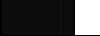
N°		Color	Description
3		Yellow	+12 V Ignition
1		Red	+12 Permanent
6		Black	Ground



### Ford Audio

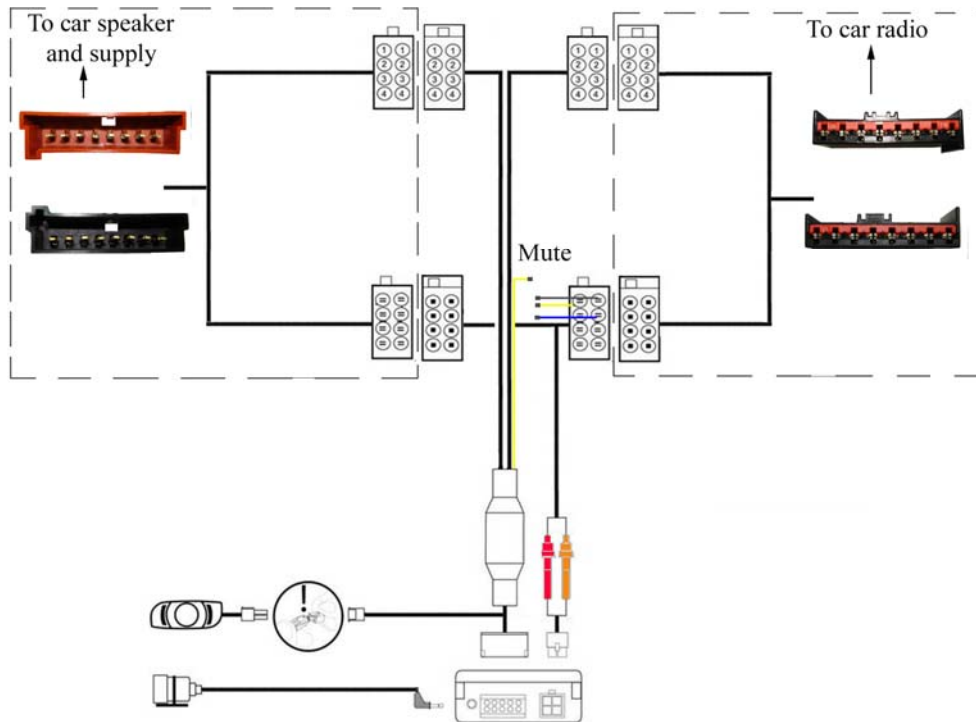
N°		Color	Description
3		Green	Rear left speaker +
1		White	Rear left speaker +
5		Grey	Front Right speaker +
7		Violet	Rear Right speaker +
4		Green Black	Rear Left speaker -
2		White Black	Front Left speaker -
6		Grey Black	Front Right speaker-
8		Black Violet	Rear Right speaker -

### Ford Supply

N°		Color	Description
3		Yellow	+12 V Ignition
1		Red	+12 Permanent
6		Black	Ground

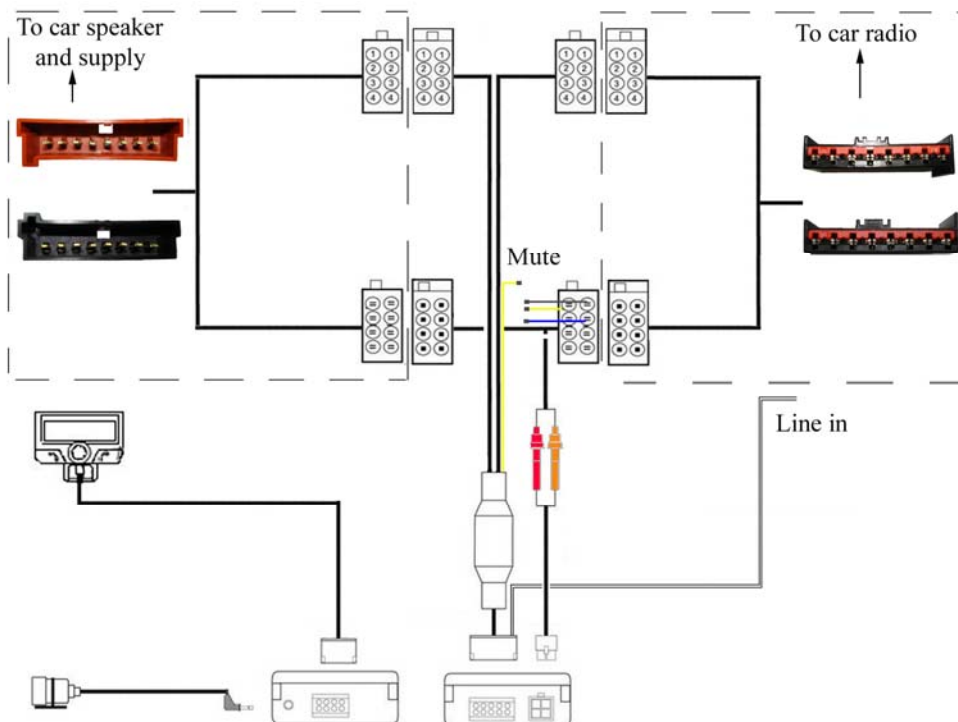


## Mounting Procedure for CK3000 Evolution



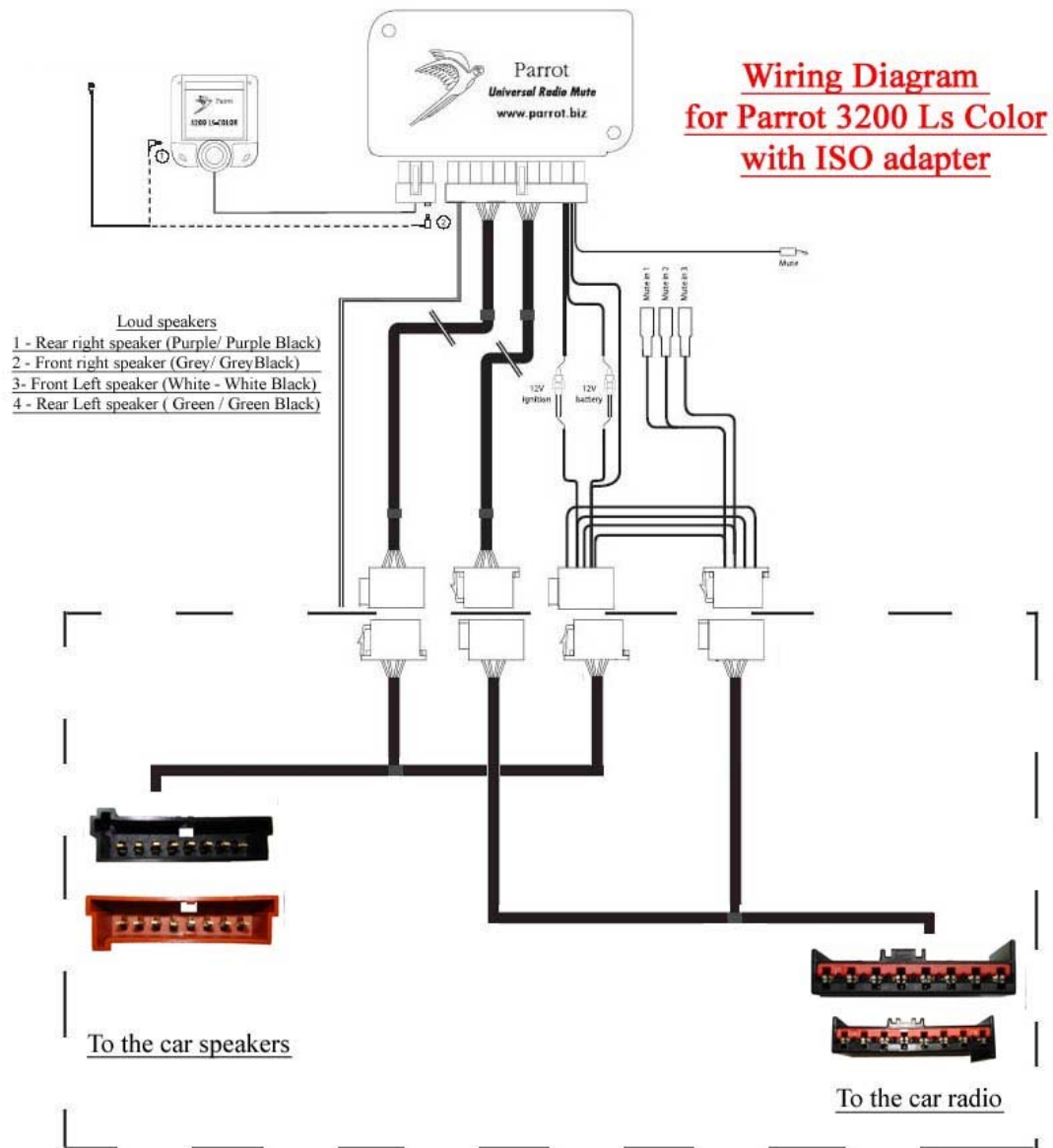
*Same mounting procedure for CK3000*

## Mounting Procedure for CK3100



*Same mounting procedure for CK3300, CK3500*

## Mounting Procedure for Parrot 3200 Ls Color



*Same mounting procedure for Parrot 3400 Ls GPS*